

## Through-The-Wall Room Air Conditioners

# Installation Operation and Maintenance Manual

### RECORD YOUR MODEL AND SERIAL NUMBER HERE

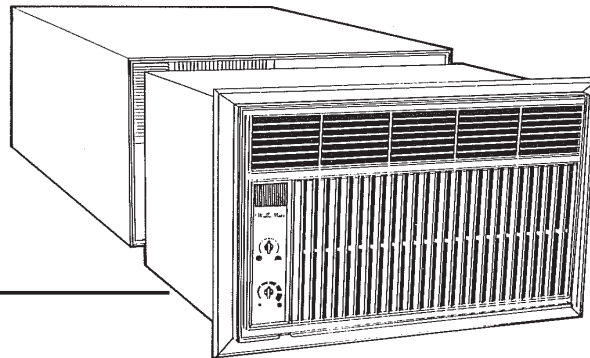
If you should require service or call with a question, please have the following information available:

1. COMPLETE MODEL AND SERIAL NUMBER. This information is found on a plate located in the air outlet area, which you can see when plastic front grille is removed (see figure 2, for removal).
2. PURCHASE DATE from sales slip.
3. Note that this information should also be recorded on your warranty registration card.

Model Number \_\_\_\_\_

Serial Number \_\_\_\_\_

Purchase Date \_\_\_\_\_



NOTE: Retain this manual for future reference.

### IMPORTANT...

*This manual tells how to install, use and care for your air conditioner, as well as how to get the most efficient cooling.*

**BEFORE YOU USE YOUR AIR CONDITIONER**

*It is your responsibility to make sure that your air conditioner*

- has been properly installed;
- is the right size for the area to be cooled;
- is properly connected to electricity; is properly electrically grounded;
- is properly maintained
- after installing your air conditioner be sure your unit is "off" before plugging it in. See page 4 for control instructions.
- is being used as designed. Do not operate in a corrosive or extremely dirty atmosphere or at below normal ambient temperature,
- does not have rear louvres or rear coil restricted since unit requires proper air circulation to operate.

### **I M P O R T A N T**


**READ AND SAVE THESE INSTRUCTIONS  
INSTALLATION AND WIRING MUST BE IN ACCORDANCE  
WITH CEC, NEC AND LOCAL ELECTRICAL CODES.**

## ELECTRICAL REQUIREMENTS

PLUG THE UNIT INTO A STANDARD 115 VOLT 60 HERTZ GROUNDED WALL RECEPTACLE. USE ONLY TIME DELAY FUSE OR TIME DELAY CIRCUIT BREAKER.

The Air Conditioner is equipped with a three wire cord and three prong plug. **ELECTRICAL GROUND IS REQUIRED ON THIS UNIT.** Do not alter unit power supply or plug. It is recommended that a separate circuit serving only this unit be provided. Do not use an extension cord.

It will not operate on direct current. Electrical specifications are shown on the Model and Serial plate located inside the plastic front grille (observe local codes).

VOLTS	HERTZ	TYPE PLUG & RATING	RECEPTACLE WIRING	FUSE
115	60	 Parallel Blade 15 amp.	#14 gauge	15 amp. time-delay

## INSTALLATION INSTRUCTIONS - MODEL SCA/SCB

To help eliminate any installation problems and to help assure trouble free performance of your new air conditioner, read these instructions before installing this unit.

Because this air conditioner weights approximately 110 pounds (49.9 kg), it is recommended that you have someone help you install your new unit and that you both use proper lifting techniques to avoid personal injury.

Inspect the condition of your previously installed wall sleeve you'd like to install your new air conditioner in. Be sure it will support the weight of the unit, and that the sleeve has been fastened to wall opening.

### CAUTION:

Be sure air conditioner does not fall during installation.

Handle the air conditioner with care. Watch out for the sharp metal fins on the front and rear coils.

Do not use water condensate for drinking purposes. It may not be sanitary.

**THIS APPLIANCE MUST BE INSTALLED ACCORDING TO ALL APPLICABLE CODES AND ORDINANCES.**

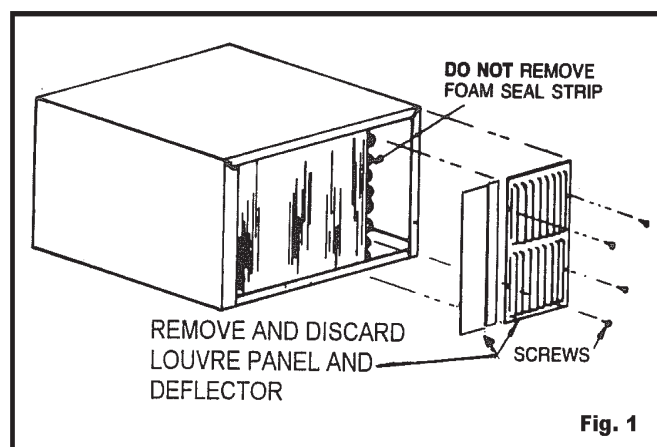
### **NOTICE**

**If this air conditioner is to be installed into a sleeve other than the Original Equipment Wall Sleeve with inside dimensions of 23" (58.4 cm) wide x 15 9/32" (38.8 cm) high specifically designed for this air conditioner, you will require Kit No. RAX99TKA1. It will allow you to install the unit in other wall sleeves, as indicated in adjacent table. Follow the instructions contained in the kit - you are responsible for ensuring the air conditioner chassis has a positive slope of 1/4" per foot toward the outside, regardless of the slope of the sleeve.**

SLEEVE TYPE	WIDTH (INSIDE)	HEIGHT (INSIDE)
ORIGINAL DESIGN	23" (58.4 cm)	15 9/32" (38.8 cm)
W	24 1/2" (62.2 cm)	14 1/2" (36.8 cm)
C	24 5/16" (61.8 cm)	15 3/4" (40.0 cm)
F	26 5/8" (67.6 cm)	16 11/16" (42.4 cm)
G	25 1/4" (64.1 cm)	14 5/8" (37.1 cm)

Before installing the air conditioner in the Original Equipment Sleeve, make sure you have removed the Louvre Panel and Deflector held by four screws at rear of air conditioner. (See figure 1). Lift and slide air conditioner into existing sleeve, Push it back until it butts up against rear of sleeve.

Make certain air conditioner is centered and is level from inside to outside, also ensure that is leveled side to side. There is a positive slope in the base of the Original Equipment Wall Sleeve 23" (58.4 cm) wide x 15 9/32" (38.8 cm) high sleeve that will give the correct slope to the air conditioner chassis when the sleeve is installed level.

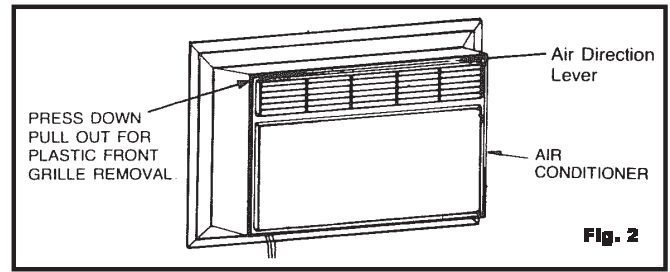


**Fig. 1**

## DECORATOR TRIM FRAME

(NOT SUPPLIED)

Replacement situations will already have the decorative Trim Frame in use and installed as shown in figure 2. Replace Plastic Front Grille as indicated in figure 2. For new installations order the Decorative Trime Frame Kit Model Number RAX99TRA1.



## REGULAR MAINTENANCE

### CAUTION:

Before doing any maintenance, disconnect power cord. Make sure water does not get into motor or electrical connections. Use gloves to avoid cuts from the sharp coil fins. Do not use cleaning fluids, solvents, abrasive cleaners or strong detergents; they may damage the parts.


### EVERY MONTH DURING OPERATING PERIOD:

Remove plastic front panel by pressing downward and pulling towards you. See figure 2. Then remove filter and hand wash. Dry before placing back in unit.

### EVERY YEAR:

Remove the air conditioner from the wall sleeve. Remove the air conditioner outer cabinet casing and clean the coil fins. Clean cabinet and grille using soft cloth dampened in a mild detergent solution.

### BEFORE YOU CALL A SERVICEMAN. CHECK THE FOLLOWING:

- |                        |   |
|------------------------|---|
| NOT COOLING PROPERLY?  | <input type="checkbox"/> Is the filter clean?   |
|                        | <input type="checkbox"/> Any blockage in front of unit? (drapes)  |
|                        | <input type="checkbox"/> Is thermostat set cold enough?   |
|                        | <input type="checkbox"/> Is function switch on "cool"  position? |
| ICED UP INSIDE?        | <input type="checkbox"/> Did unit operate overnight on "lo" (1) fan speed with thermostat set "hi"?   |
|                        | <input type="checkbox"/> Is your filter dirty?  |
| WILL NOT RUN OR NOISY? | <input type="checkbox"/> If noisy, check for loose mounting/windows.  |
|                        | <input type="checkbox"/> If fuse is blown, you should be using Fusetron (time-delay) type.  |
|                        | <input type="checkbox"/> Check wall receptacle with another appliance.  |

## IF SERVICE IS REQUIRED

Contact the dealer from whom your unit was purchased for the name of and address of the nearest authorized service depot. For further assistance contact customer service at **Applied Comfort Products, 1210 Balmoral Road, Cambridge, Ontario N1T 1A5. Telephone (519) 740-3600, Fax (519) 740-1666,**

# OPERATING INSTRUCTIONS

Be sure your air conditioner is "off" before plugging it in. **O** "off" --position shuts off entire unit.

## TO START YOUR AIR CONDITIONER

### 1. FOR COOLING:

Choose either "Hi" (setting 3) "Medium" (setting 2) or "Lo" (setting 1)

The Fan will run at all times when air conditioner is switched "On"

SELECT:

"Lo" (1) for quiet cooling with gentle air movement.

"Medium" (2) for moderate cooling and air movement.

"Hi" (3) for maximum cooling and air movement.

### 2. FOR AIR CIRCULATION (without cooling)

SELECT:

"Lo" (1) for quiet, gentle air circulation

"Medium" (2) for moderate air circulation

"Hi" (3) for maximum air circulation

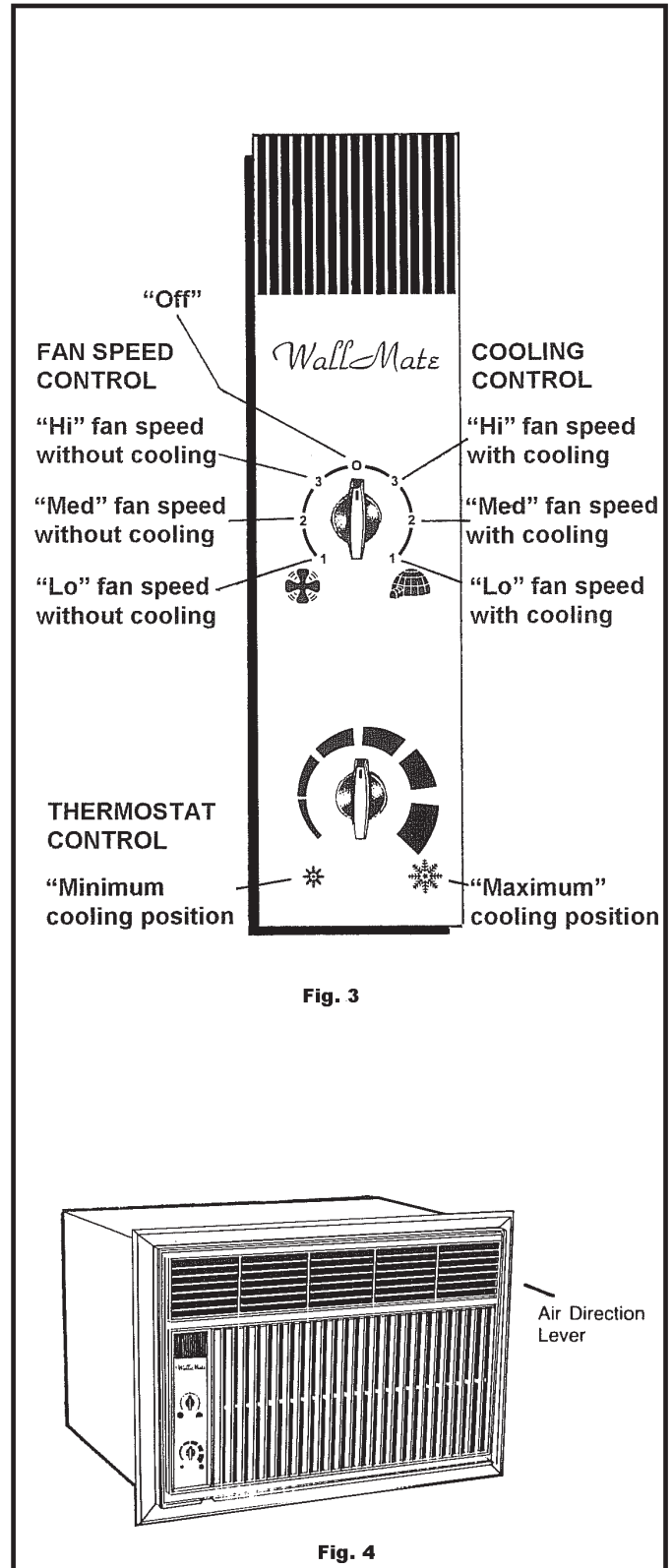
**CAUTION** if you turn your air conditioner "off", wait at least two minutes before turning it back "on", or you may blow a fuse.

**3. TURN THE THERMOSTAT CONTROL** to the "maximum" cooling position (full clockwise). This starts the compressor, as long as the room and outside air temperature are not below normal. When the room becomes comfortable, slowly turn the knob counter-clockwise (to a lower setting), until you hear the compressor stop (the fan will continue to circulate air).

To automatically maintain the temperature selected, leave the thermostat control knob in this position. When the room temperature rises sufficiently, the compressor will automatically turn on and begin cooling again.

NOTE: Turning the knob clockwise produces greater cooling and turning the knob counter-clockwise produces less cooling.

**4. CHANGING AIR DIRECTION** The louvers in the grille area at the top of the air conditioner control the direction of the cooled air. The rear vertical louvers in the grille can be adjusted left or right or straight ahead. The front louvers are fixed and directed upward. SIMPLY MOVE THE LEVER IN THE DIRECTION YOU WANT THE AIR TO GO.



**Applied**  
**Comfort Products Inc.**

HEATING AND AIR CONDITIONING

1210 Balmoral Road, Cambridge, Ontario, Canada N1T 1A5

Specifications Subject To Change Without Notice

Printed in Canada

800010 Rev. 03 Sep 2009

