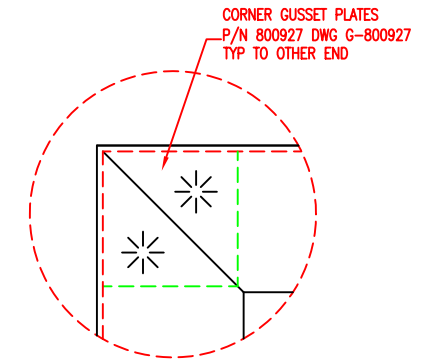
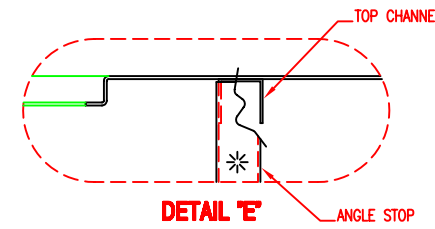
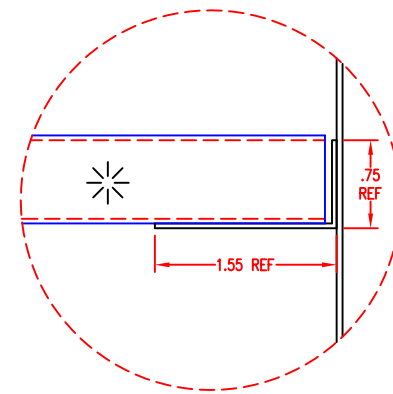
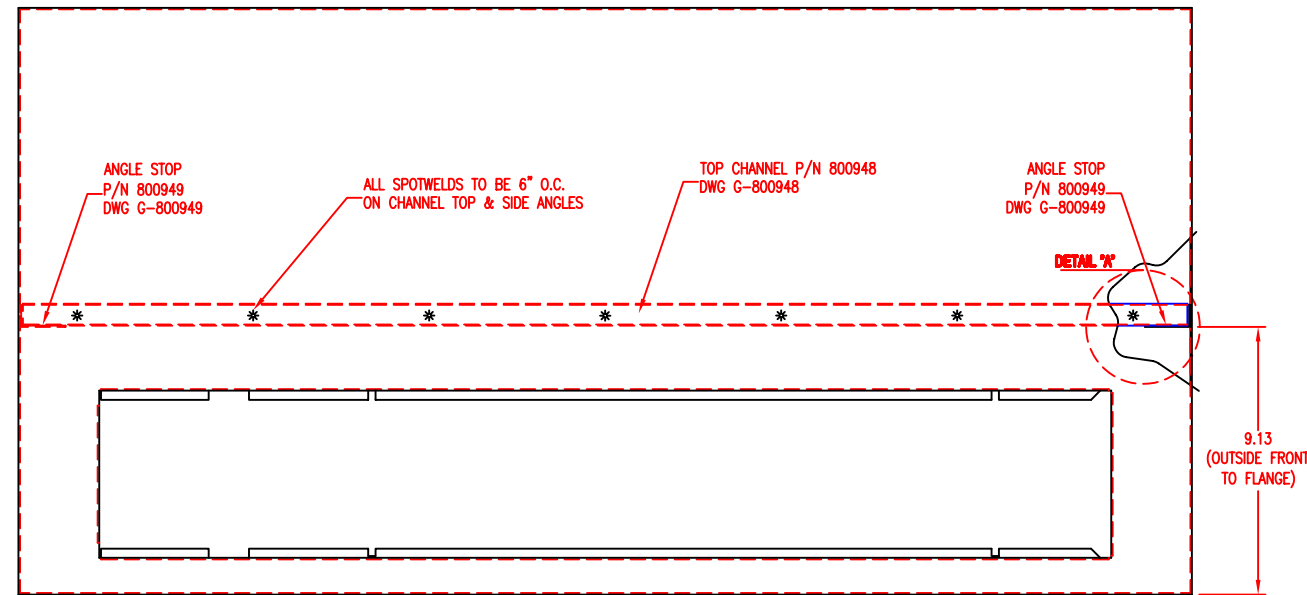
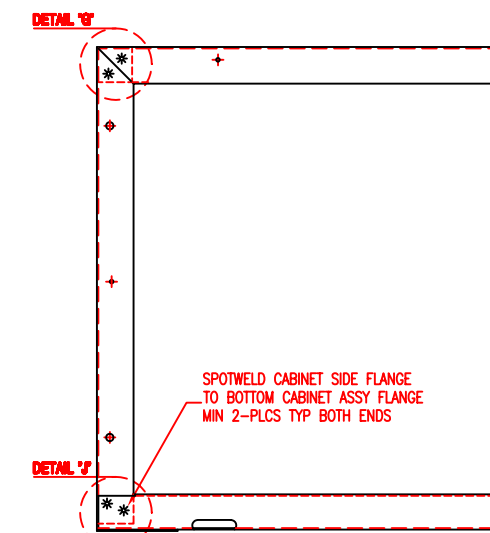
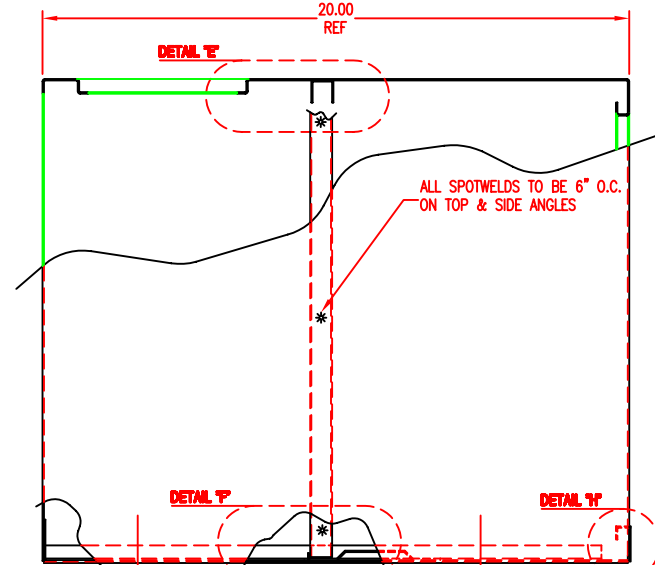
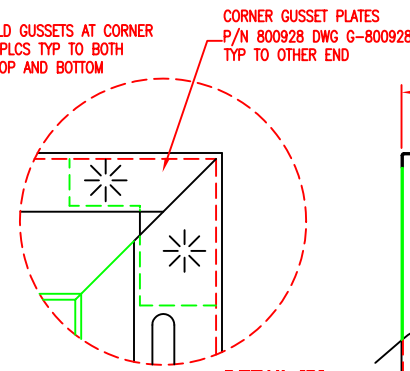
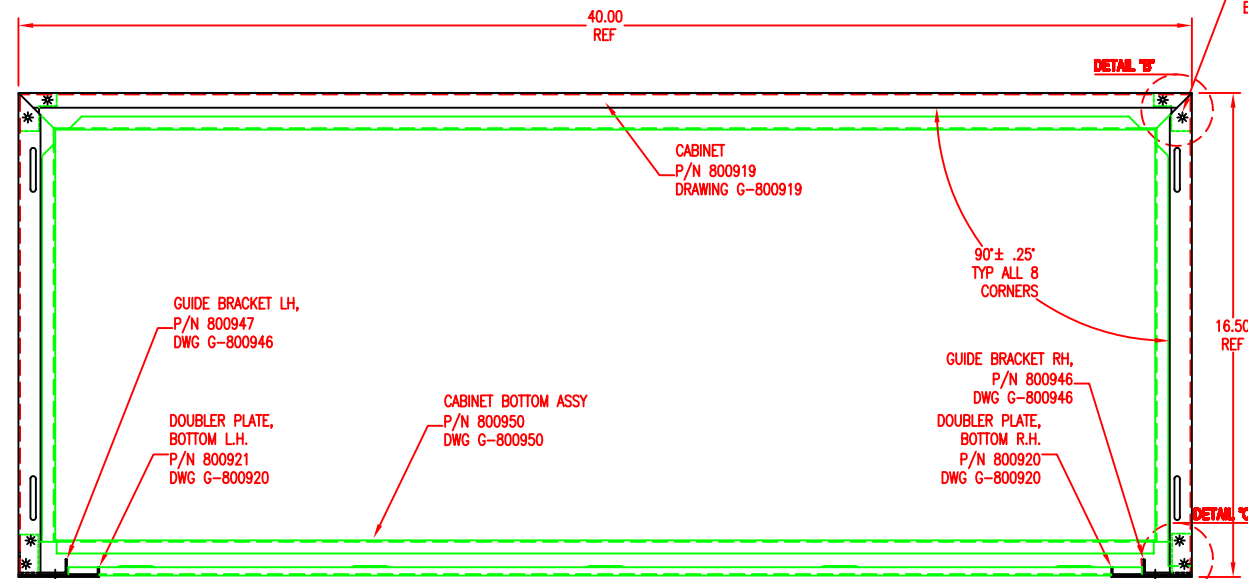


NO VENDOR SUPPLYING PARTS TO APPLIED COMFORT PRODUCTS' SPECIFICATIONS UNDER THIS DRAWING SHALL REVISE ANY PHYSICAL, DIMENSIONAL, MATERIAL OR PERFORMANCE CHARACTERISTICS OF SUCH PARTS AFTER APPLIED COMFORT PRODUCTS' APPROVAL OF SUCH VENDOR'S SAMPLES THEREOF UNLESS OTHERWISE AUTHORIZED IN WRITING BY APPLIED COMFORT PRODUCTS' PRODUCT ENGINEERING GROUP.



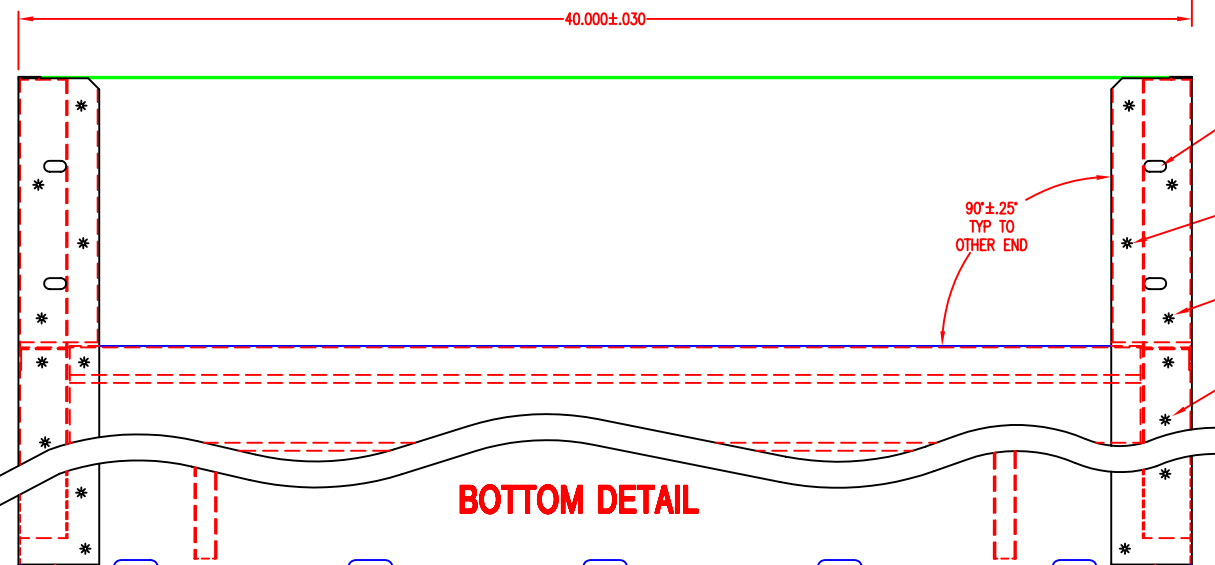
TOP DETAIL



FRONT DETAIL

RIGHT SIDE DETAIL

BACK DETAIL

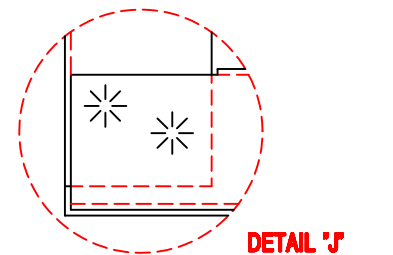
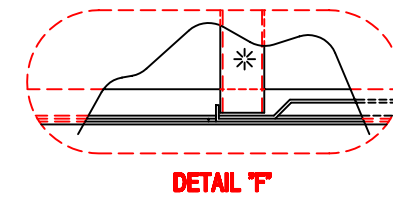
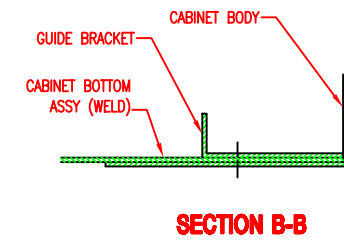
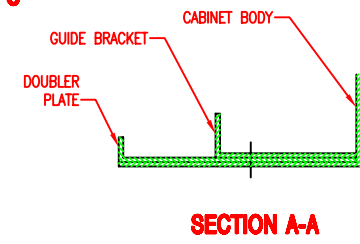


Holes in cabinet & doubler plate must align. Allowable off-center tolerance ±.030

SPOTWELD DOUBLER PLATE TO BOTTOM CABINET FLANGE MIN 4-PLCS TYP BOTH ENDS

SPOTWELD GUIDE BRACKETS IN POSITION AFTER CABINET BOTTOM IS SPOTWELED TO CABINET FLANGE MIN 5-PLCS TYP BOTH ENDS

SPOTWELD CABINET BOTTOM ASSY TO BOTTOM CABINET FLANGE MIN 5-PLCS TYP BOTH ENDS



PART NO. 800922

DIMENSIONS ARE IN INCHES UNLESS OTHERWISE SPECIFIED. DO NOT SCALE DRAWING.

STANDARD TOLERANCE UNLESS OTHERWISE SPECIFIED:
 LINEAR - FRACTION ± 1/32"
 LINEAR - DECIMAL 2 PL. ± .030 ,3 PL. ± .015 | ANGULAR ± 1.5°

00	12APR2004	ISS'D FOR PRODUCTION	S.S.	04007
REV.	DATE	CHANGES	DR'N.	APP'D.

Applied Comfort Products Inc.
 CAMBRIDGE, ONTARIO, CANADA

PART NAME SLEEVE ASSY 40" (WELD)

MAT'L NOTED

DR'N. S.S. **SCALE** N.T.S. **DWG SIZE:** C

APP'D. **DATE** 12APR2004 **REV. NO.** 00

SHEET # 1/1 **DRW. NO.** G-800922