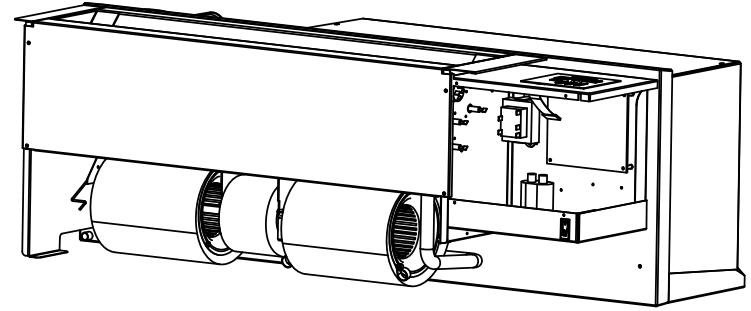
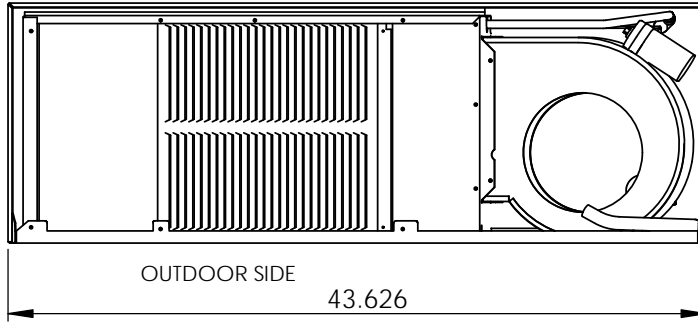


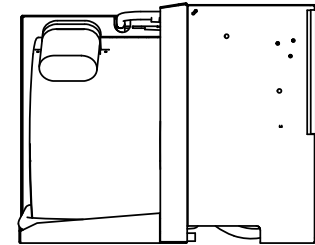
OUTDOOR



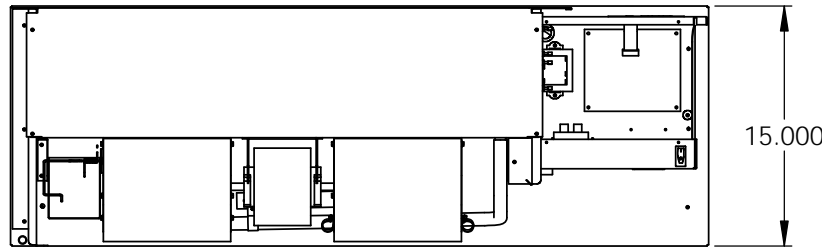
INDOOR



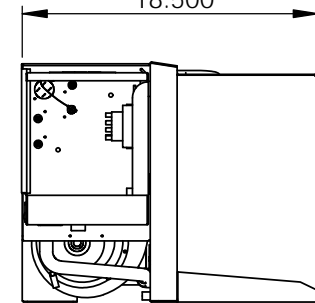
OUTDOOR SIDE
43.626



LEFT SIDE
18.500



INDOOR SIDE
15.000



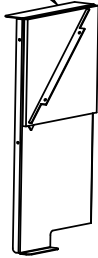
RIGHT SIDE

				NAME		DATE		Applied COMFORT RS UNIT	
				DRAWN WWebber		14 Dec 2012			
				CHECKED					
				ENG APPR					
				MFG APPR					
				Q.A.				TITLE: RS UNIT	
				MATERIAL		COMMENTS:			
				FINISH					
REV	DATE	NOTES	BY			SIZE	DWG. NO.	REV	
						G	RS unit	00	
APPLICATION			DC	NOT SCALE DRAWING		SCALE: 1:12	WEIGHT:	SHEET 1 OF 3	

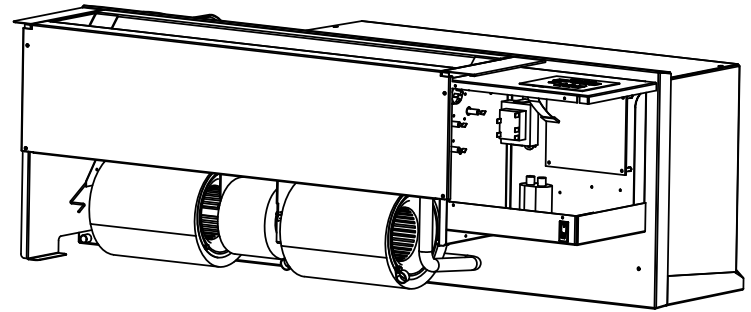
PROPRIETARY AND CONFIDENTIAL

THE INFORMATION CONTAINED IN THIS DRAWING IS THE SOLE PROPERTY OF <INSERT COMPANY NAME HERE>. ANY REPRODUCTION IN PART OR AS A WHOLE WITHOUT THE WRITTEN PERMISSION OF <INSERT COMPANY NAME HERE> IS PROHIBITED.

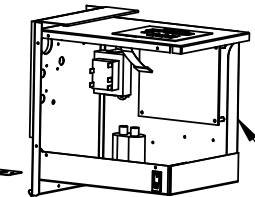
802967



803005

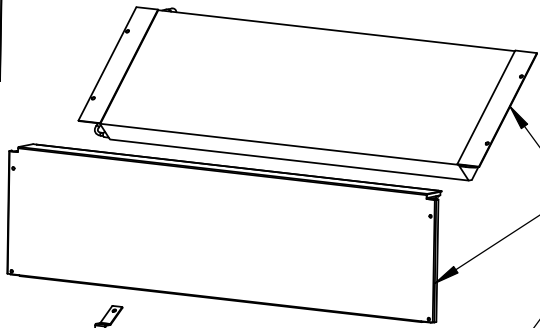


CONTROL BOX ASSEMBLY

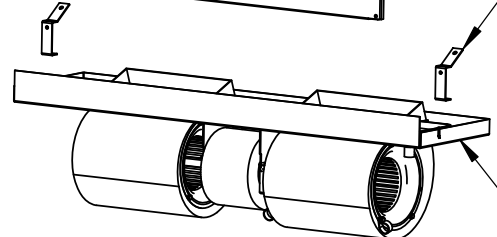


EVAP COIL

802975



41661001 X2



EVAP FAN ASSEMBLY

PROPRIETARY AND CONFIDENTIAL
 THE INFORMATION CONTAINED IN THIS DRAWING IS THE SOLE PROPERTY OF <INSERT COMPANY NAME HERE>. ANY REPRODUCTION IN PART OR AS A WHOLE WITHOUT THE WRITTEN PERMISSION OF <INSERT COMPANY NAME HERE> IS PROHIBITED.

		UNLESS OTHERWISE SPECIFIED:		NAME	DATE
		DIMENSIONS ARE IN INCHES	DRAWN		
		TOLERANCES:	CHECKED		
		FRACTIONAL ±	ENG APPR.		
		ANGULAR: MACH ± BEND ±	MFG APPR.		
		TWO PLACE DECIMAL ±	Q.A.		
		THREE PLACE DECIMAL ±	COMMENTS:		
		INTERPRET GEOMETRIC TOLERANCING PER:			
		MATERIAL			
NEXT ASSY	USED ON	FINISH			
APPLICATION		DO NOT SCALE DRAWING			

TITLE:		
EVAP BUILD		
SIZE	DWG. NO.	REV
A	RS unit	
SCALE: 1:12	WEIGHT:	SHEET 2 OF 3

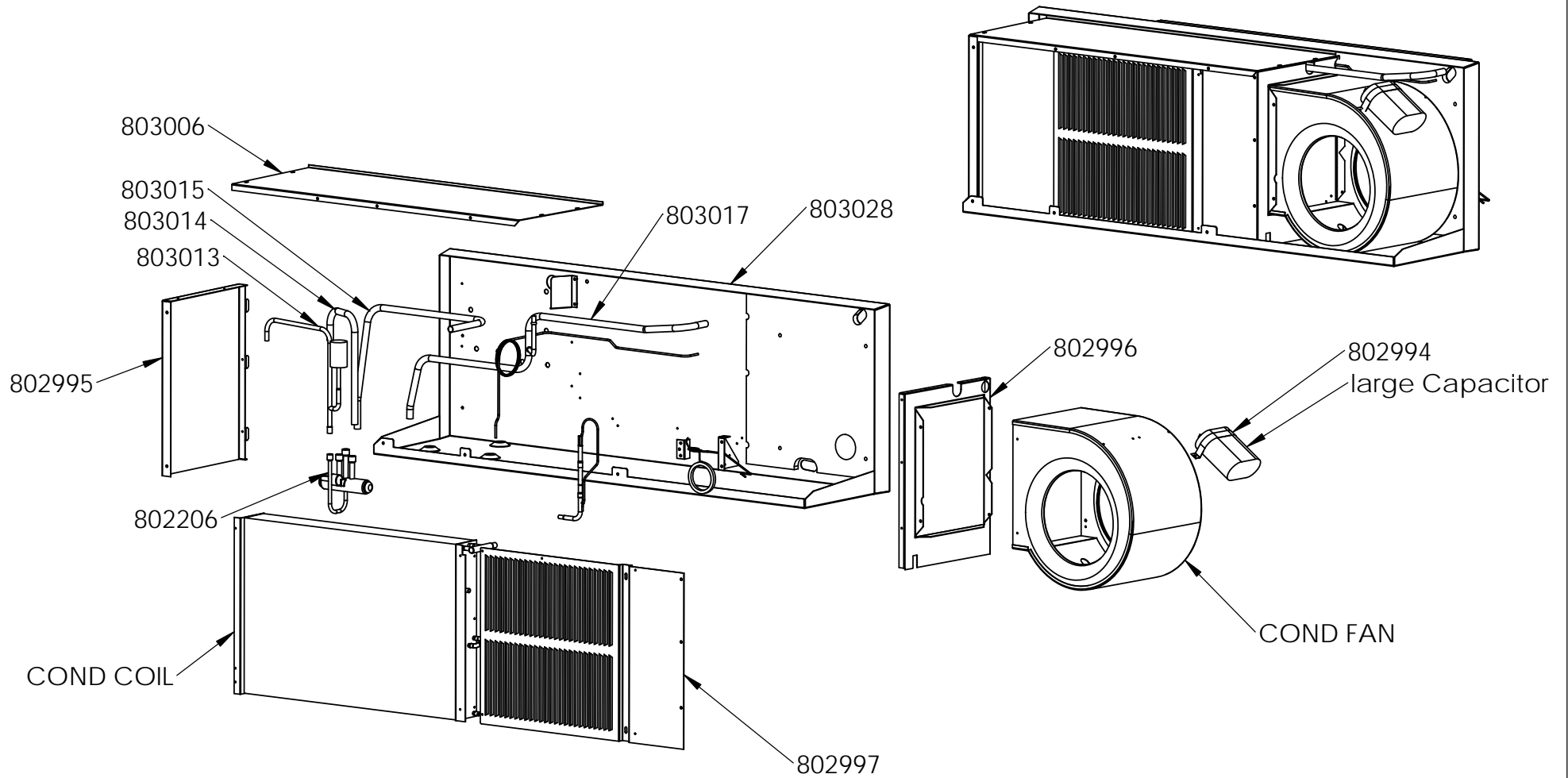
5

4

3

2

1



PROPRIETARY AND CONFIDENTIAL
 THE INFORMATION CONTAINED IN THIS DRAWING IS THE SOLE PROPERTY OF <INSERT COMPANY NAME HERE>. ANY REPRODUCTION IN PART OR AS A WHOLE WITHOUT THE WRITTEN PERMISSION OF <INSERT COMPANY NAME HERE> IS PROHIBITED.

		UNLESS OTHERWISE SPECIFIED:	NAME	DATE
		DIMENSIONS ARE IN INCHES TOLERANCES: FRACTIONAL ± ANGULAR: MACH ± BEND ± TWO PLACE DECIMAL ± THREE PLACE DECIMAL ±	DRAWN	
			CHECKED	
			ENG APPR.	
			MFG APPR.	
		INTERPRET GEOMETRIC TOLERANCING PER:	Q.A.	
		MATERIAL	COMMENTS:	
		FINISH		
NEXT ASSY	USED ON			
APPLICATION		DO NOT SCALE DRAWING		

TITLE: CONDENSER BUILD DRAWING		
SIZE A	DWG. NO. RS unit	REV
SCALE: 1:12	WEIGHT:	SHEET 3 OF 3