

S Series

RMS
RKS
CMS
__S

Applied COMFORT



FITS 36" WIDE X 16" SLEEVE

RM_s

SLIDE IN REPLACEMENT FOR:

RM Models - Cool Heat®, Islandaire®, ZoneAire®
TPI® Ra-Matic

RK_s

SLIDE IN REPLACEMENT FOR:

RSK, RK Models - IceCap / IceAir®, Islandaire®

CM_s

SLIDE IN REPLACEMENT FOR:

Climate Master 702, 703 & 704 Models
- Friedrich®, Weil-McLain®, ZoneAire®

CM Models - Fedders Islandaire, Islandaire®

__S

SLIDE IN REPLACEMENT FOR:

SC Models - ZoneAire®, Applied Comfort®

SEA, SHA Models - Heil-Quaker®, ZoneAire®

HQ,

Embassy® Weathertwin

Sears® 867 Models

Premium, meet Affordable !



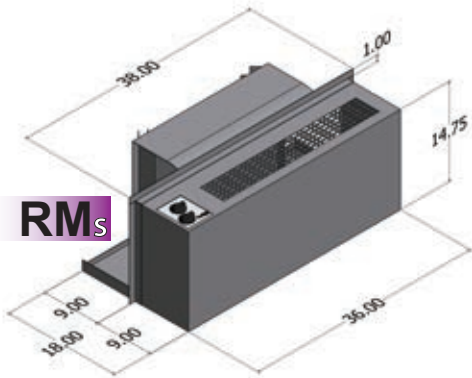
electronic
or
mechanical
control



Our design engineers use only Premium UL Category 1 components, and our production team conduct rigorous QA testing on each unit to ensure **unmatched reliability & long service life.**

Each design is optimized for energy efficiency and then subjected to 3rd party laboratory testing to **ensure class-leading performance, safety, low operating costs, and a product that you can trust !**

Engineered and built in North America since 1994 !



RM_s

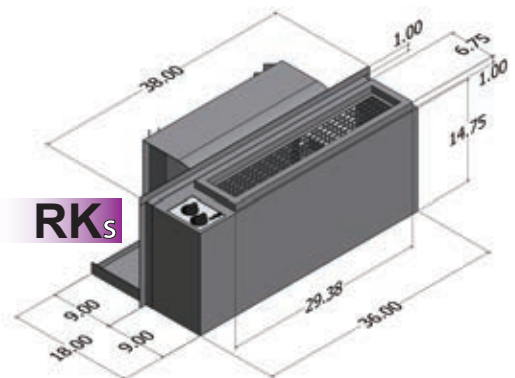
2 CONTROL OPTIONS:

Mechanical

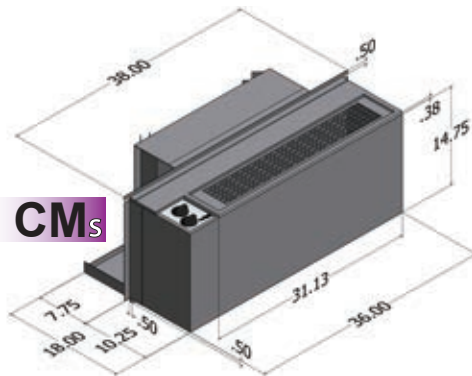
- on-chassis controls
- selectable 3 speed room fan control
- (optional) mechanical fresh air door
- on chassis temperature control
- no remote thermostat connection

Electronic Touchpad

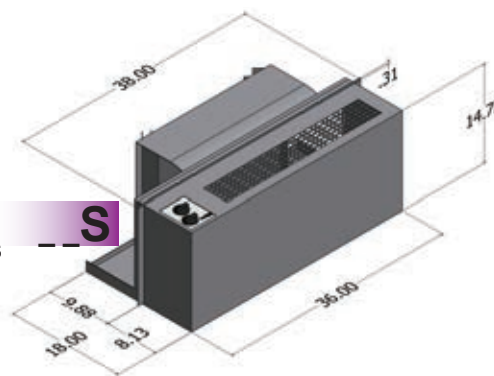
- on-chassis touchpad
- large LED readout
- two speed room fan control
- electronic temperature limiting
- switchable to 24v remote for connection to wired or wireless thermostats
- EMS -- energy management system ready
- fresh air door eliminated for energy savings



RK_s



CM_s



__S

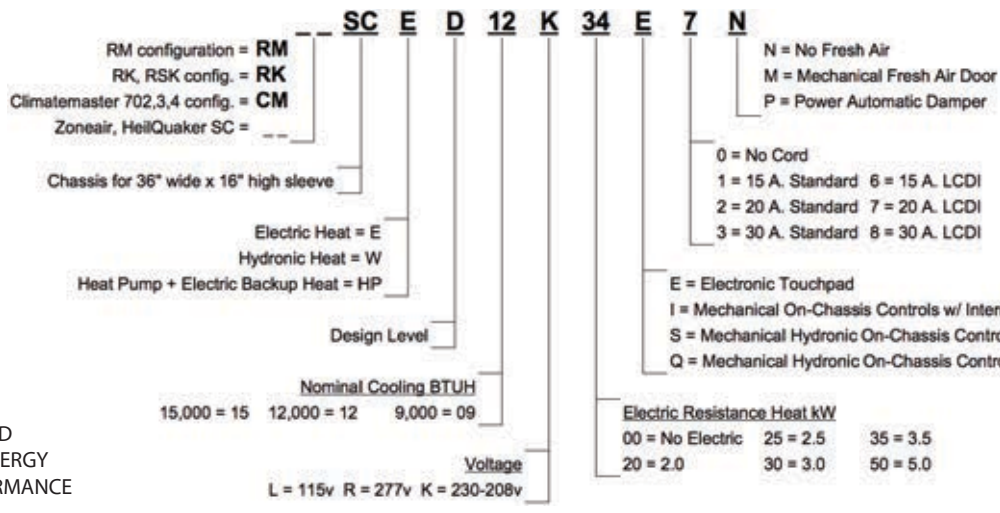


VERIFIED
FOR ENERGY
PERFORMANCE

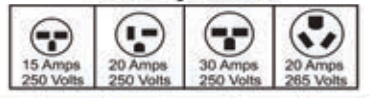
Premium

www.ptacs.com

Affordable



Receptacle



- SCED Air Conditioner with Electric Resistance Heat
- SCHPC Heat Pump with Electric Resistance Backup Heat
- SCWD Air Conditioner with Hydronic Heat

Model	Voltage	Hz	Cooling				Reverse-Cycle Heat		Resistance Heat			Min. Circuit Amps	MOP* Fuse Amps	Electrical Plug (NEMA)	Indoor CFM HIGH*	Indoor CFM LOW*	Vent** CFM	Net Wt. lbs.	Ship Wt. lbs.	
			BTU/Hr.	EER	Amps	S/T	Pts./hr.	BTU/Hr.	COP	BTU/Hr.	kW									Amps
SCED09L00	115	60	9700	11	9.2	0.79	1.9	N/A	N/A	N/A	N/A	N/A	13	15	#5-15P	380	335	90	118	127
SCED12L00	"	"	11800	9.5	11.5	0.75	2.8	N/A	N/A	N/A	N/A	N/A	16.2	20	#5-20P	"	"	"	"	"
SCED09K00	230 - 208	"	9700	11	4.3/4.5	0.79	1.9	N/A	N/A	N/A	N/A	N/A	6.2	20	#6-20P	390/375	345/315	"	"	"
SCED09K25	"	"	9700	11	4.3/4.6	0.79	1.9	N/A	N/A	8900/7300	2.5/2.1	11.6/10.5	14.4	20	#6-20P	"	"	"	"	"
SCED2K34	"	"	11700	9.5	5.8/6.3	0.72	3.0	N/A	N/A	12000/9900	3.4/2.8	15.5/14.1	19.3	20	#6-20P	"	"	"	"	"
SCED15K50	"	"	13700	8.5	7.5/8.4	0.68	4.0	N/A	N/A	17400/14300	5/4.1	22.5/20.4	28	30	#6-30P	"	"	"	"	"
SCED09R00	277	"	9700	11	4.3/4.5	0.79	1.9	N/A	N/A	N/A	N/A	N/A	5.8	15	#7-20P	380	335	"	"	"
SCED09R20	"	"	9700	11	4.3/4.6	0.79	1.9	N/A	N/A	7200	2.0	8.0	9.9	15	#7-20P	"	"	"	"	"
SCED12R30	"	"	11700	9.5	5.8/6.3	0.72	3.0	N/A	N/A	10600	3.0	11.6	14.4	15	#7-20P	"	"	"	"	"
SCED15R40	"	"	13700	8.5	7.5/8.4	0.68	4.0	N/A	N/A	14000	4.0	15.2	19	20	#7-20P	"	"	"	"	"

NOTE re SCED: 0.0, 2.5, 3.4 & 5.0kw are available on all 9, 12, 15000btuh 230-208v; 0.0, 2.0, 3.0, 4.0, are available on all 9, 12, 15000btuh 277v

Model	Voltage	Hz	Cooling				Reverse-Cycle Heat		Resistance Heat			Min. Circuit Amps	MOP* Fuse Amps	Electrical Plug (NEMA)	Indoor CFM HIGH*	Indoor CFM LOW*	Vent** CFM	Net Wt. lbs.	Ship Wt. lbs.	
			BTU/Hr.	EER	Amps	S/T	Pts./hr.	BTU/Hr.	COP	BTU/Hr.	kW									Amps
SCHPC12K00	230 - 208	"	11800	9.5	5.9/6.2	0.75	2.8	12300	3.3	N/A	N/A	N/A	8.1	20	#6-20P	390/375	345/315	"	121	130
SCHPC12K25	"	"	11800	9.5	5.9/6.3	0.75	2.8	12300	3.3	8900/7300	2.5/2.1	11.6/10.5	14.4	21	#6-20P	"	"	"	"	134
SCHPC12K34	"	"	11800	9.5	5.9/6.4	0.75	2.8	12300	3.3	12000/9900	3.4/2.8	15.5/14.1	19.3	22	#6-20P	"	"	"	"	135
SCHPC15K50	"	"	14400	9.4	7.6/8.3	0.68	4.3	15200	3.1	17400/14300	5/4.1	22.5/20.4	28	30	#6-30P	"	"	"	"	135
SCHPC12R00	277	"	11800	9.5	5.4	0.75	2.8	12300	3.3	N/A	N/A	N/A	6.8	15	#7-20P	380	335	"	"	134
SCHPC12R20	"	"	11800	9.5	5.4	0.75	2.8	12300	3.3	7200	2.0	8.0	9.9	15	#7-20P	"	"	"	"	134
SCHPC12R30	"	"	11800	9.5	5.4	0.75	2.8	12300	3.3	10600	3.0	11.6	14.4	15	#7-20P	"	"	"	"	135
SCHPC15R40	"	"	14400	9.4	6.7	0.68	4.3	15200	3.1	14000	4.0	15.2	19	20	#7-20P	"	"	"	"	135

NOTE re SCHPC: 0.0, 2.5, 3.4 & 5.0kw are available on all 9, 12, 15000btuh 230-208v; 0.0, 2.0, 3.0, 4.0, are available on all 9, 12, 15000btuh 277v

Model	Voltage	Hz	Cooling				Reverse-Cycle Heat		Resistance Heat			Min. Circuit Amps	MOP* Fuse Amps	Electrical Plug (NEMA)	Indoor CFM HIGH*	Indoor CFM LOW*	Vent** CFM	Net Wt. lbs.	Ship Wt. lbs.	
			BTU/Hr.	EER	Amps	S/T	Pts./hr.	BTU/Hr.	COP	BTU/Hr.	kW									Amps
SCWD09L00	115	60	9700	11	8.6	0.79	1.9	N/A	N/A	N/A	N/A	N/A	11	15	#5-15P	360	310	"	118	127
SCWD12L00	"	"	11700	9.5	11.6	0.72	3.0	N/A	N/A	N/A	N/A	N/A	16.2	20	#5-20P	360	310	"	"	"
SCWD09K00	230 - 208	"	9700	11	4.3/4.5	0.79	1.9	N/A	N/A	N/A	N/A	N/A	6.4	15	#6-20P	370/350	325/300	"	"	"
SCWD12K00	"	"	11700	9.5	5.8/6.1	0.72	3.0	N/A	N/A	N/A	N/A	N/A	8.3	15	#6-20P	370/350	325/300	"	"	"
SCWD15K00	"	"	13700	8.5	7.5/8.1	0.68	4.0	N/A	N/A	N/A	N/A	N/A	10	15	#6-20P	370/350	325/300	"	"	"
SCWD09R00	277	"	9700	11	3.8	0.79	1.9	N/A	N/A	N/A	N/A	N/A	5.8	15	#7-20P	360	310	"	"	"
SCWD12R00	"	"	11700	9.5	5.3	0.72	3.0	N/A	N/A	N/A	N/A	N/A	6.8	15	#7-20P	360	310	"	"	"
SCWD15R00	"	"	13700	8.5	6.8	0.68	4.0	N/A	N/A	N/A	N/A	N/A	8.4	15	#7-20P	360	310	"	"	"

*Time Delay Fuse or HCAR Circuit Breaker --- *Dry Coil --- 277v models are permanently connected using 20amp non-LCDI cords.
 ** Vent fresh air is only available on chassis with mechanical controls; there is no vent air on chassis with Electronic controls.

Model	Voltage	Hz	Hot Water Heat HIGH SPEED	Hot Water Heat LOW SPEED	Water Flow Rate	Coil Pressure Drop (HIGH SPEED)	Steam Heat HIGH SPEED	Steam Heat LOW SPEED	Heating Current
			BTU/Hr.	BTU/Hr.	USGPM	Ft of Water	BTU/Hr.	BTU/Hr.	Amps
SCWD_L00	115	60	18500	17400	1.9	1.8	22600	21100	<1
SCWD_K00	230 - 208	60	18800/18300	17700/17200	1.9 - 1.9	2.0 - 1.8	22900/22300	21600/20800	<1
SCWD_R00	277	60	18500	17400	1.9	1.8	22600	21100	<1

Maximum Steam Pressure: 2 psig --- Steam ratings based on conditions of 70°F entering air, and 2 psig steam pressure with heat output automatically adjusting for blower speed.
 Maximum Water Temperature: 210°F --- HIGH SPEED Water ratings based on ASHRAE/AHRI conditions of 70°F entering air, 200°F entering water and 180°F leaving water temperatures.
 LOW SPEED Water ratings based on water flow rate set for HIGH SPEED rating condition operating point.

Specifications Subject to Change Without Notice
 All brands and product names are trademarks or registered trademarks of their respective owners.

Distributed By:



Applied Comfort Products Inc.
 1 877 227 7822
 www.ptacs.com

