

RB RB16W (hydronic) RB16E (electric)



Premium, . . . meet Affordable!

SLIDE IN REPLACEMENT FOR:

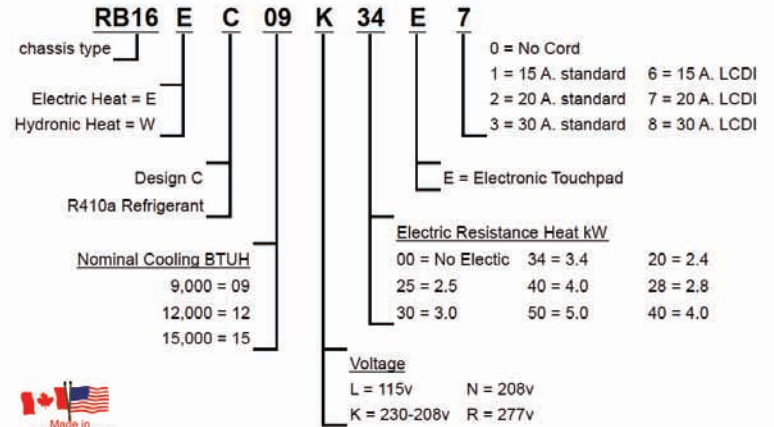
Westinghouse RB

Re-engineered for 2012
quieter! more dehumidification!



Electronic Touchpad Controls

- on-chassis touchpad with large LED readout
- switchable to 24v remote thermostats - EMS ready
- two speed room fan control
- electronic temperature limiting
- fresh air supply door provided

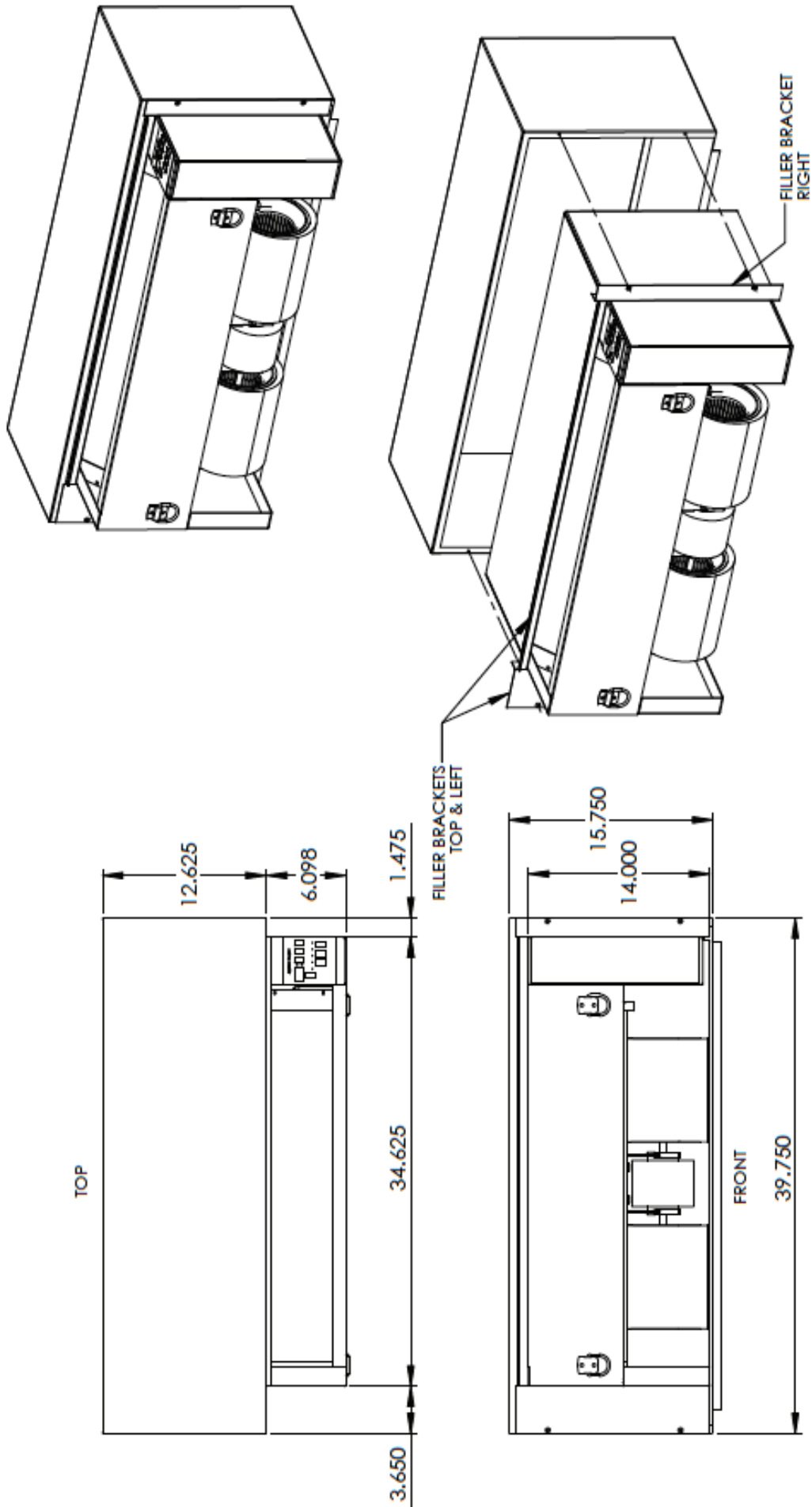


CORD-CONNECTED. LCDI full-length Cord for connection to remote receptacle.

Model	Voltage	Hz	Min. Circuit Amps	MOP* Fuse Amps	Electrical Plug (NEMA)	Cooling					Resistance Heat			Indoor CFM HIGH°	Indoor CFM LOW°	Vent** CFM	Net Wt. lbs.	Ship Wt. lbs.
						BTU/Hr.	EER	Amps	S/T	Pts./hr.	BTU/Hr.	kW	Amps					
RB16EC09L00E6	115	60	13	15	#5-15P	9600	10	10	0.78	2.0	N/A	N/A	N/A	325	275	90	118	126
RB16EC09L00E7	"	"	"	20	#5-20P	9600	10	10	0.78	2.0	N/A	N/A	N/A	"	"	"	"	"
RB16EC12L00E7	"	"	16.2	20	#5-20P	11600	9.5	12.6	0.7	3.3	N/A	N/A	N/A	"	"	"	"	"
RB16EC09K00E6	230 - 208	"	6.2	15	#6-15P	9600	10	5.1	0.78	2.0	N/A	N/A	N/A	345/315	300/260	"	"	"
RB16EC09K00E7	"	"	"	20	#6-20P	9600	10	5.1	0.78	2.0	"	"	"	"	"	"	"	"
RB16EC09K25E6	"	"	14.3	15	#6-15P	9600	10	5.1	0.78	2.0	8900/7300	2.5/2.1	11.4/10.4	"	"	"	"	"
RB16EC09K25E7	"	"	"	20	#6-20P	9600	10	5.1	0.78	2.0	8900/7300	2.5/2.1	11.4/10.4	"	"	"	"	"
RB16EC09K34E7	"	"	19.2	20	#6-20P	9600	10	5.1	0.78	2.0	12000/9900	3.4/2.8	15.3/13.9	"	"	"	"	"
RB16EC09K34E8	"	"	"	30	#6-30P	9600	10	5.1	0.78	2.0	12000/9900	3.4/2.8	15.3/13.9	"	"	"	"	"
RB16EC09K50E8	"	"	27.9	30	#6-30P	9600	10	5.1	0.78	2.0	17400/14300	5/4.1	22.3/20.2	"	"	"	"	"
RB16EC12K00E6	"	"	8	15	#6-15P	11600	9.2	6.6	0.7	2.8	N/A	N/A	N/A	"	"	"	"	"
RB16EC12K00E7	"	"	"	20	#6-20P	11600	9.2	6.6	0.7	2.8	N/A	N/A	N/A	"	"	"	"	"
RB16EC12K25E6	"	"	13.3	15	#6-15P	11600	9.2	6.6	0.7	2.8	8900/7300	2.5/2.1	11.4/10.4	"	"	"	"	"
RB16EC12K25E7	"	"	"	20	#6-20P	11600	9.2	6.6	0.7	2.8	8900/7300	2.5/2.1	11.4/10.4	"	"	"	"	"
RB16EC12K34E7	"	"	19.2	20	#6-20P	11600	9.2	6.6	0.7	2.8	12000/9900	3.4/2.8	15.3/13.9	"	"	"	"	"
RB16EC12K34E8	"	"	"	30	#6-30P	11600	9.2	6.6	0.7	2.8	12000/9900	3.4/2.8	15.3/13.9	"	"	"	"	"
RB16EC12K50E8	"	"	27.9	30	#6-30P	11600	9.2	6.6	0.7	2.8	17400/14300	5/4.1	22.3/20.2	"	"	"	"	"
RB16EC15K00E6	"	"	9.7	15	#6-15P	14000	8.8	8.3	0.68	4.3	N/A	N/A	N/A	"	"	"	"	"
RB16EC15K00E7	"	"	"	20	#6-20P	14000	8.8	8.3	0.68	4.3	N/A	N/A	N/A	"	"	"	"	"
RB16EC15K25E6	"	"	14.3	15	#6-15P	14000	8.8	8.3	0.68	4.3	8900/7300	2.5/2.1	11.4/10.4	"	"	"	"	"
RB16EC15K25E7	"	"	"	20	#6-20P	14000	8.8	8.3	0.68	4.3	8900/7300	2.5/2.1	11.4/10.4	"	"	"	"	"
RB16EC15K34E7	"	"	19.2	20	#6-20P	14000	8.8	8.3	0.68	4.3	12000/9900	3.4/2.8	15.3/13.9	"	"	"	"	"
RB16EC15K34E8	"	"	"	30	#6-30P	14000	8.8	8.3	0.68	4.3	12000/9900	3.4/2.8	15.3/13.9	"	"	"	"	"
RB16EC15K50E8	"	"	27.9	30	#6-30P	14000	8.8	8.3	0.68	4.3	17400/14300	5/4.1	22.3/20.2	"	"	"	"	"

NOTE:
Hydronic models (RB16WC)
and high voltage (277v) models
are available; call for details.

Distributed By:



Specifications Subject to Change Without Notice
 All brands and product names are trademarks or registered trademarks of their respective owners.