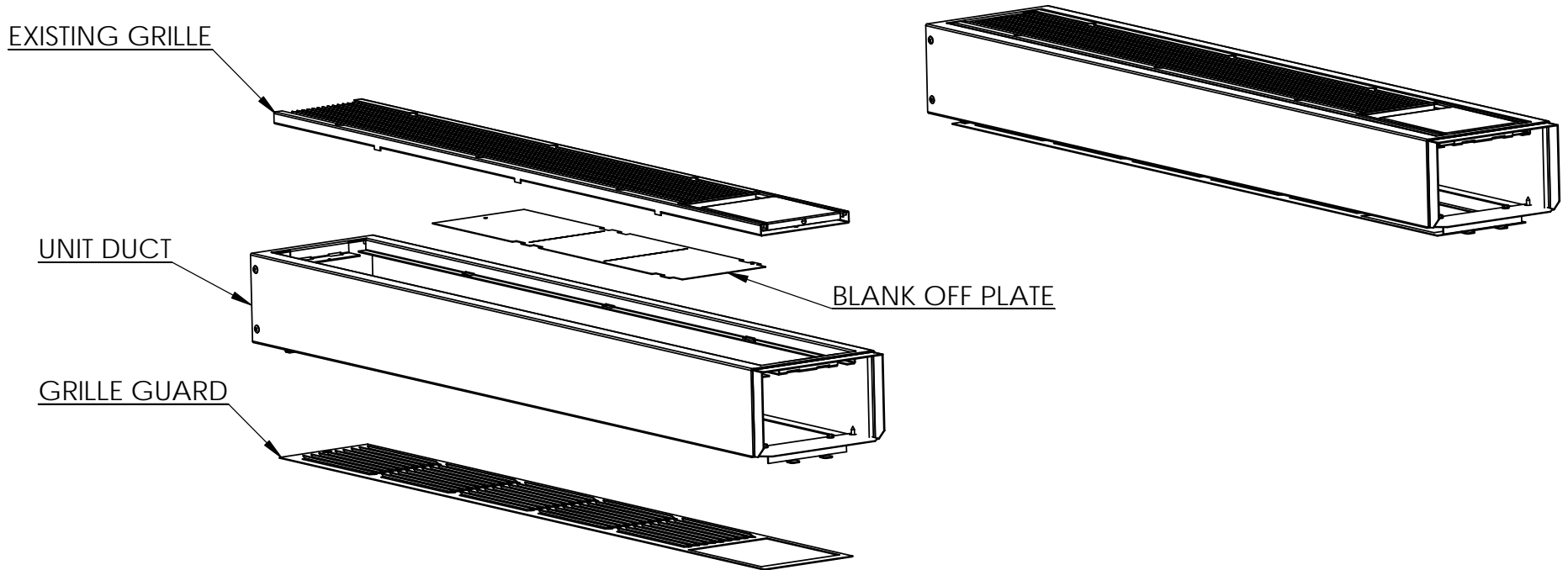


**INSTRUCTIONS**

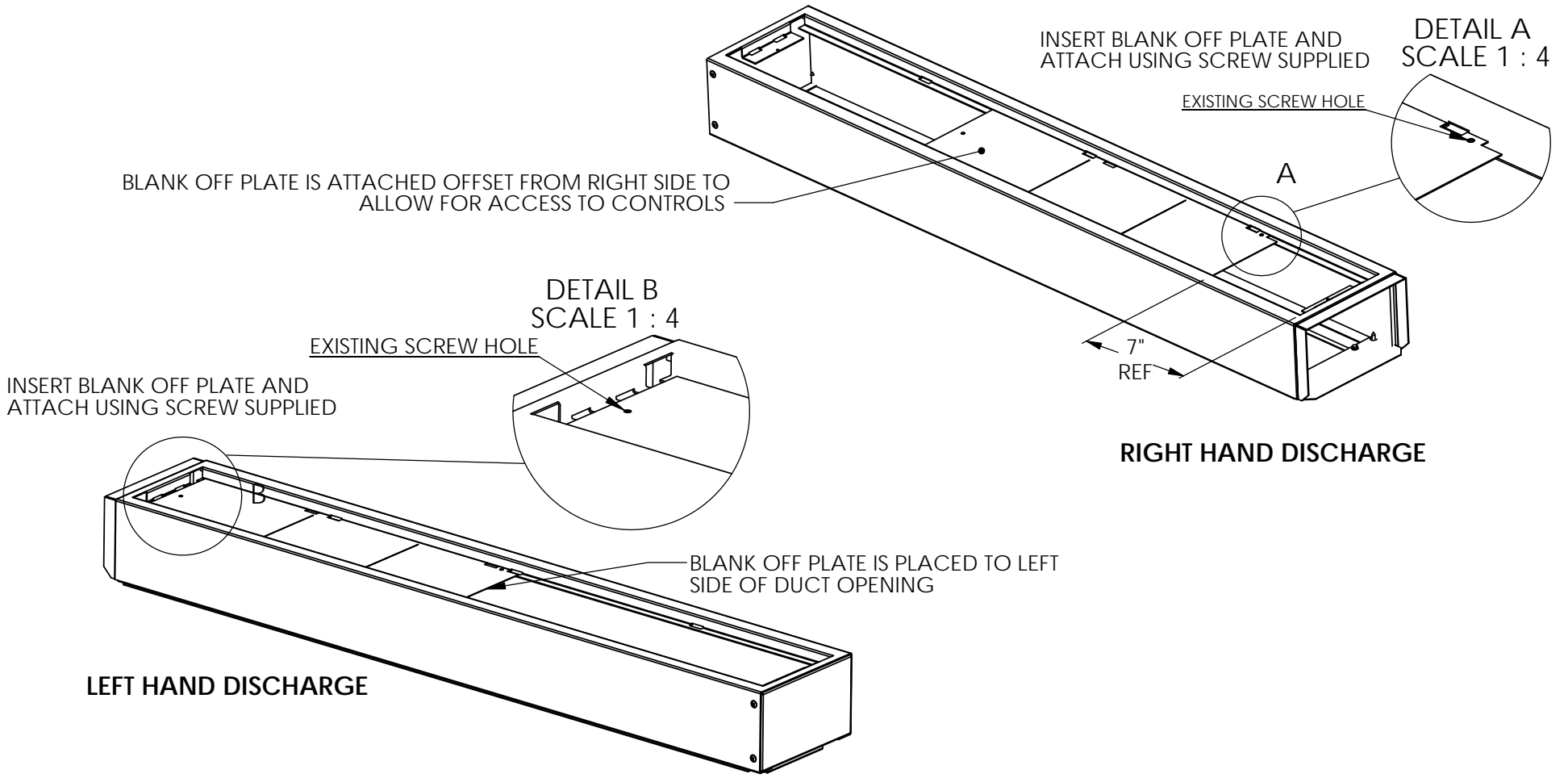
- STEP 1 REMOVE THE EXISTING GRILLE FROM THE UNIT BY REMOVING THE SCREW UNDER THE CONTROL DOOR AND LIFTING GRILL OUT.
- STEP 2 PLACE GRILLE GUARD INTO ROOM CABINET OPENING THIS IS A SAFETY FEATURE AND MUST BE INSTALLED TO ENSURE SAFE OPERATION OF THE UNIT
- STEP 3 DETERMINE HOW MUCH BLANK OFF PLATE IS REQUIRED TO ACHIEVE PROPER BALANCE BETWEEN ROOMS, BREAK OFF AT SLOTS BASED ON REQUIREMENTS
- STEP 4 SEE PAGE 2 FOR SECURING BLANK OFF PLATE
- STEP 5 INSERT DUCT INTO ROOM CABINET OPENING, TABS ON THE DISCHARGE SIDE WILL INSERT INTO SLOTS ON THE ROOM CABINET. LOWER THE BLANKED OFF END UNTIL THE FLANGE SEATS INTO THE GRILLE OPENING AND USE EXISTING HOLE TO SECURE THE DUCT.
- STEP 6 INSERT EXISTING GRILLE INTO DUCT OPENING AND SECURE WITH EXISTING SCREW.



				NAME		DATE		Applied <small>COMFORT</small>											
				DRAWN WWebber		19 Dec 2014					TITLE: <b>AIR DUCT ASSEMBLY</b>								
				CHECKED				SIZE DWG. NO. REV <b>G 803731 00</b>											
				ENG APPR										SCALE: 1:8 WEIGHT: SHEET 1 OF 3					
				MFG APPR													COMMENTS:		
				Q.A.															
				MATERIAL															
				FINISH															
REV		DATE		NOTES		BY													
APPLICATION				DC		NOT SCALE DRAWING													

**PROPRIETARY AND CONFIDENTIAL**  
 THE INFORMATION CONTAINED IN THIS DRAWING IS THE SOLE PROPERTY OF <INSERT COMPANY NAME HERE>. ANY REPRODUCTION IN PART OR AS A WHOLE WITHOUT THE WRITTEN PERMISSION OF <INSERT COMPANY NAME HERE> IS PROHIBITED.

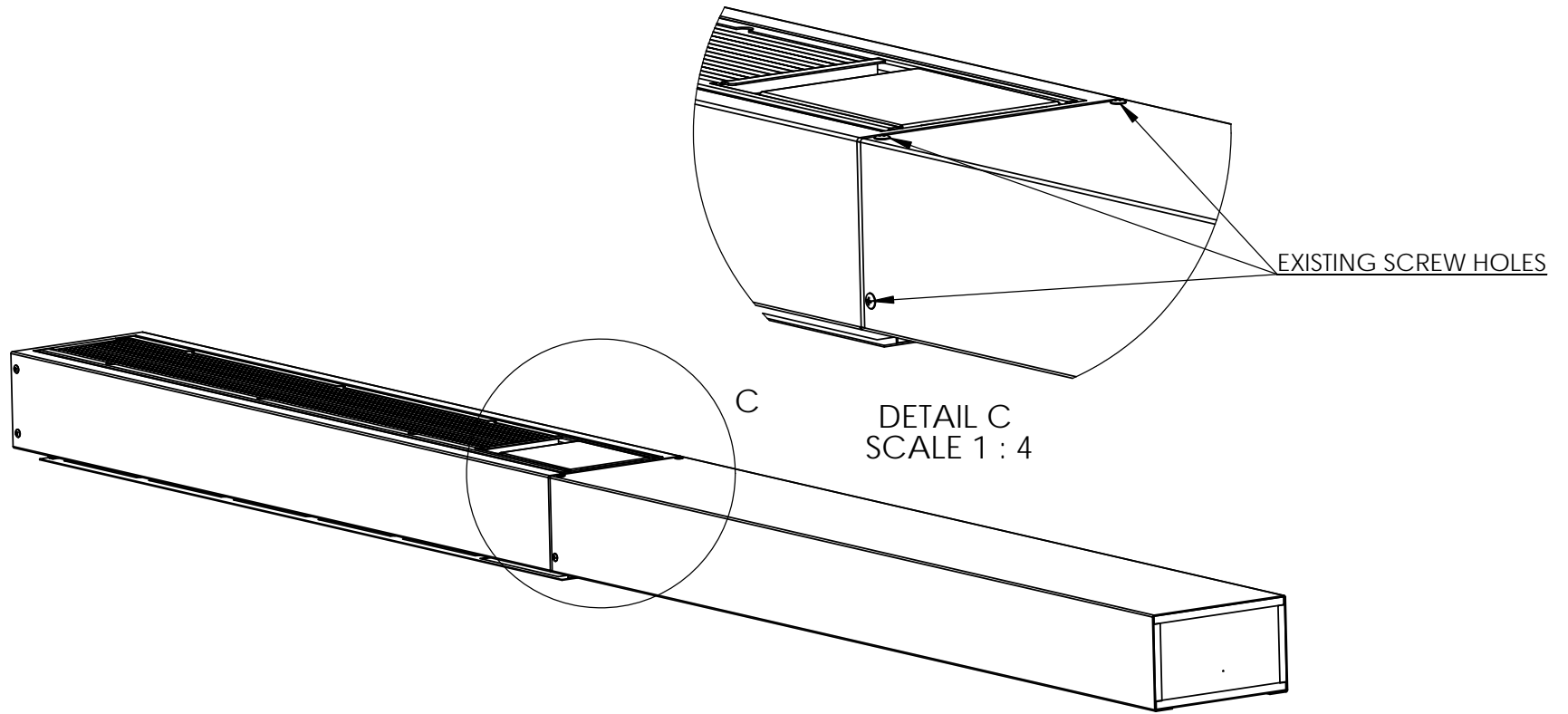
NOTE:  
 FULL BLANK OFF PLATE WILL DIVERT APPROXIMATELY 50% OF AIR TO DUCTED ROOM  
 2 PARTS OF BLANK OFF DIVERTS APPROXIMATELY 40% TO DUCTED ROOM  
 1 PART OF BLANK OFF WILL DIVERT APPROXIMATELY 30% TO DUCTED ROOM



				NAME		DATE		Applied COMFORT											
				DRAWN WWebber		19 Dec 2014					TITLE: <b>BLANK OFF DETAIL</b>								
				CHECKED				SIZE DWG. NO. REV <b>G 803731 00</b>											
				ENG APPR										SCALE: 1:8 WEIGHT: SHEET 2 OF 3					
				MFG APPR													COMMENTS:		
				Q.A.															
				MATERIAL															
				FINISH															
				APPLICATION		DO NOT SCALE DRAWING													

**PROPRIETARY AND CONFIDENTIAL**  
 THE INFORMATION CONTAINED IN THIS DRAWING IS THE SOLE PROPERTY OF <INSERT COMPANY NAME HERE>. ANY REPRODUCTION IN PART OR AS A WHOLE WITHOUT THE WRITTEN PERMISSION OF <INSERT COMPANY NAME HERE> IS PROHIBITED.

Air Terminal Grille at the end of the Extension Duct must have an actual outlet area of 7.25"x 4.25" with .125" thick non-adjustable louvers



CUT EXTENSION PIECE TO DESIRED LENGTH. NOTE THERE ARE HOLES IN ONE END TO ATTACH EXTENSION TO MAIN DUCT TO ATTACH DUCT AND EXTENSION FULLY ENGAGE THE TWO PARTS TOGETHER. DRILL 1/8" HOLES THREW EXISTING CLEARANCE HOLES IN EXTENSION PIECE. USE SCREWS PROVIDED TO SECURE THE TWO PIECES

**PROPRIETARY AND CONFIDENTIAL**  
 THE INFORMATION CONTAINED IN THIS DRAWING IS THE SOLE PROPERTY OF <INSERT COMPANY NAME HERE>. ANY REPRODUCTION IN PART OR AS A WHOLE WITHOUT THE WRITTEN PERMISSION OF <INSERT COMPANY NAME HERE> IS PROHIBITED.

				NAME		DATE		<b>Applied</b> COMFORT	
				DRAWN WWebber		19 Dec 2014			
				CHECKED				TITLE: <b>AIR DUCT ASSEMBLYEXTENSION</b>	
				ENG APPR					
				MFG APPR					
				Q.A.					
				MATERIAL		COMMENTS:		SIZE	
				FINISH				<b>G</b>	
REV	DATE	NOTES	BY	APPLICATION		DO NOT SCALE DRAWING		REV <b>00</b>	
								SCALE: 1:8	
								WEIGHT:	
								SHEET 3 OF 3	