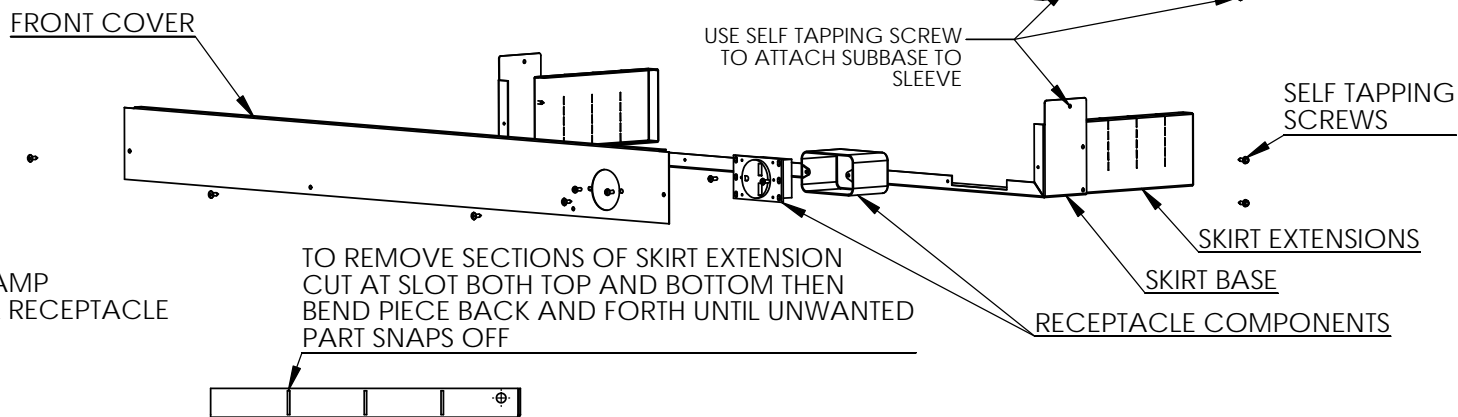
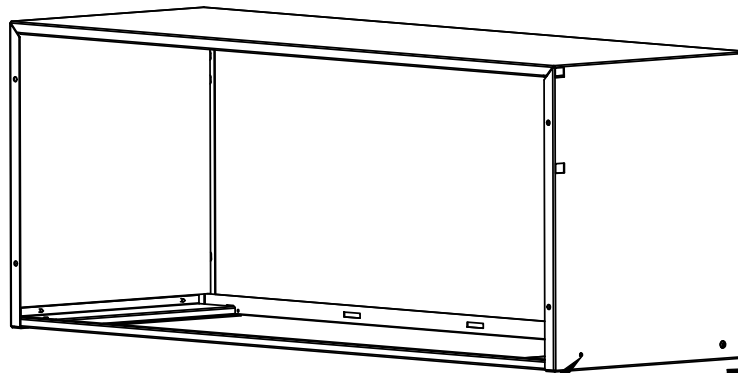
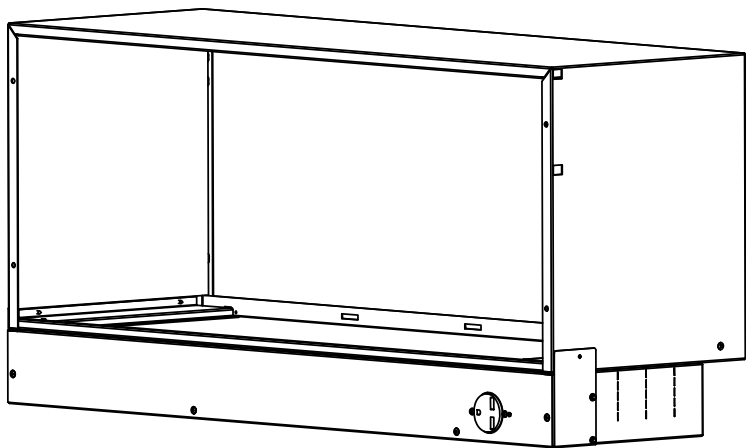


INSTALLATION INSTRUCTIONS:

- 1: REMOVE 4 SCREWS HOLDING FRONT COVER TO THE SKIRTBASE
- 2: WIRE RECEPTACLE AND ATTACH TO RECEPTACLE BOX (FOLLOWING ALL REVELANT WIRING CODES FOR YOUR AREA)
- 3: REMOVE FRONT SLEEVE SCREW FROM SLEEVE
- 4: ATTACH SKIRT BASE TO SLEEVE USING SCREW REMOVED FROM THE SLEEVE
- 5: ADJUST EXTENSION PIECES TO WALL IF NEEDED CUT TABS AT SLOT AND BRAKE OFF EXTENSION TO DESIRED LENGTH
- 6: USING THE SELF TAPPING SCREWS PROVIDED ATTACH EXTENSIONS TO SKIRT BASE
- 7: ATTACH FRONT COVER USING THE 4 SCREWS REMOVED IN STEP ONE.



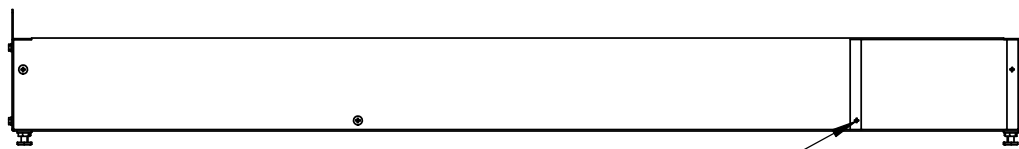
NOTE:
WITH 30AMP RECEPTACLE GROUND LUG MUST BE TO THE LEFT SIDE

WITH 20 AMP RECEPTACLE GROUND LUG MUST BE TO THE RIGHT SIDE. 20 AMP RECEPTACLE REQUIRES THE USE OF A RECEPTACLE FACE PLATE

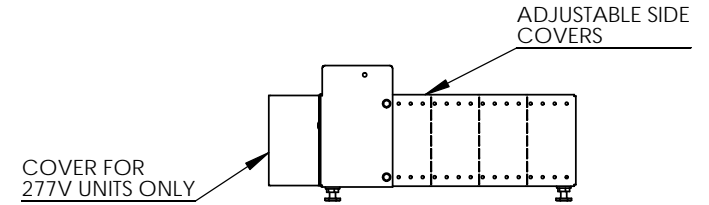
SEE SHEET 2 FOR 277V UNITS

				NAME		DATE		Applied COMFORT											
				DRAWN WWebber		14 May 2014					TITLE: INSTALLATION INSTRUCTIONS								
				CHECKED				SIZE DWG. NO. REV G 803512 01											
				ENG APPR										SCALE: 1:10 WEIGHT: SHEET 1 OF 2					
				MFG APPR													COMMENTS:		
				Q.A.															
PROPRIETARY AND CONFIDENTIAL		01 05Jan15		ADDED SHEET 2 FOR 277V UNITS		WW													
THE INFORMATION CONTAINED IN THIS DRAWING IS THE SOLE PROPERTY OF <INSERT COMPANY NAME HERE>. ANY REPRODUCTION IN PART OR AS A WHOLE WITHOUT THE WRITTEN PERMISSION OF <INSERT COMPANY NAME HERE> IS PROHIBITED.		REV DATE		NOTES		BY													
		APPLICATION		DC		NOT SCALE DRAWING													

277 VOLT UNITS ONLY
 THE CORD COVER PROVIDED MUST BE ATTACHED TO THE UNIT
 THIS COVER IS A CSA REQUIREMENT AND MUST BE IN PLACE
 TO INSURE SAFE OPERATION OF THE UNIT



AFTER INSTALLING UNIT AND
 INSERTING CORD REMOVE THE
 2 SCREWS HOLDING THE FRONT
 ALIGN THE CORD COVER WITH
 THE 2 HOLES AND REINSTALL THE SCREWS



NOTES:

- 1- ATTACH RECEPTACLE TO RECEPTACLE BOX THEN ATTACH TO FRONT COVER USING SCREWS PROVIDED.
- 2- ATTACH FRONT COVER TO BASE (803632) USING 4- 85589 PAN HEAD SCREWS.
- 3- PUT 4- 85132 HEX HEAD SCREWS INTO BAG AND SEAL.
- 4- PLACE BASE ASSEMBLY, BAG CONTAINING SCREWS AND, 2- 803631 EXTENSIONS INTO BOX FOR SHIPPING.

PROPRIETARY AND CONFIDENTIAL THE INFORMATION CONTAINED IN THIS DRAWING IS THE SOLE PROPERTY OF <INSERT COMPANY NAME HERE>. ANY REPRODUCTION IN PART OR AS A WHOLE WITHOUT THE WRITTEN PERMISSION OF <INSERT COMPANY NAME HERE> IS PROHIBITED.						NAME		DATE		Applied <small>COMFORT</small> TITLE: 277 VOLT SUBBASE			
						DRAWN		WWebber				05Jan2105	
						CHECKED							
						ENG APPR							
						MFG APPR							
				Q.A.									
				MATERIAL		COMMENTS:							
				FINISH									
REV	DATE	NOTES	BY					SIZE	DWG. NO.	REV			
								G	803512	01			
APPLICATION				DO NOT SCALE DRAWING				SCALE: 1:10	WEIGHT:	SHEET 2 OF 2			