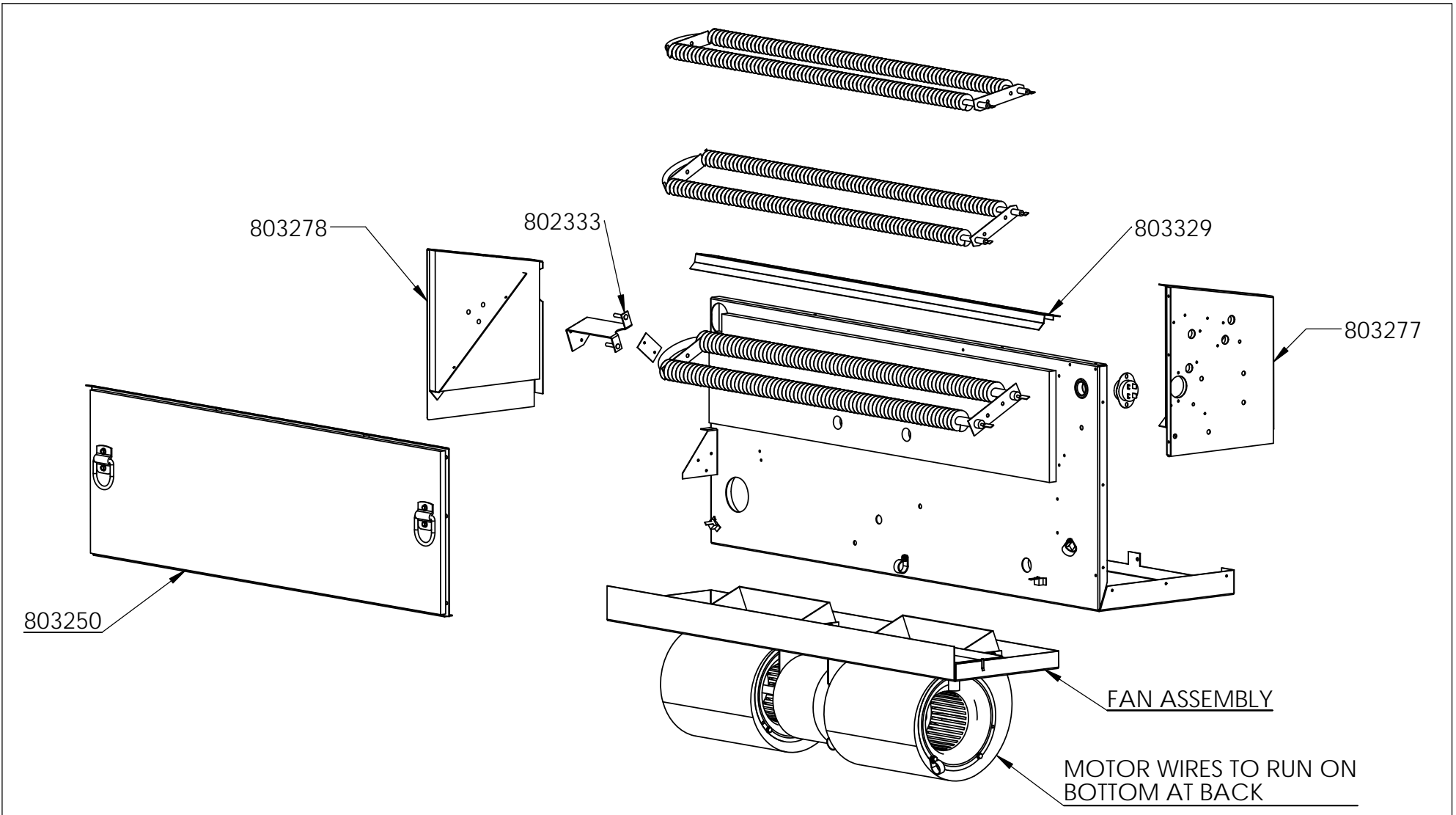


				NAME		DATE		Applied COMFORT	
				DRAWN WWebber		20 Aug 2013			
				CHECKED				TITLE: K UNIT	
				ENG APPR					
				MFG APPR					
				Q.A.					
				MATERIAL		COMMENTS:		SIZE DWG. NO. REV	
				FINISH				G K Unit 16 Series shell 00	
REV		DATE		NOTES		BY		SCALE: 1:10 WEIGHT: SHEET 1 OF 5	
APPLICATION				DC		NOT SCALE DRAWING			

PROPRIETARY AND CONFIDENTIAL

THE INFORMATION CONTAINED IN THIS DRAWING IS THE SOLE PROPERTY OF <INSERT COMPANY NAME HERE>. ANY REPRODUCTION IN PART OR AS A WHOLE WITHOUT THE WRITTEN PERMISSION OF <INSERT COMPANY NAME HERE> IS PROHIBITED.



					NAME	DATE
					WWebber	20 Aug 2013
					CHECKED	
					ENG APPR	
					MFG APPR	
					Q.A.	
					MATERIAL	COMMENTS:
					FINISH	
REV	DATE	NOTES	BY	DC	NOT SCALE DRAWING	
APPLICATION						

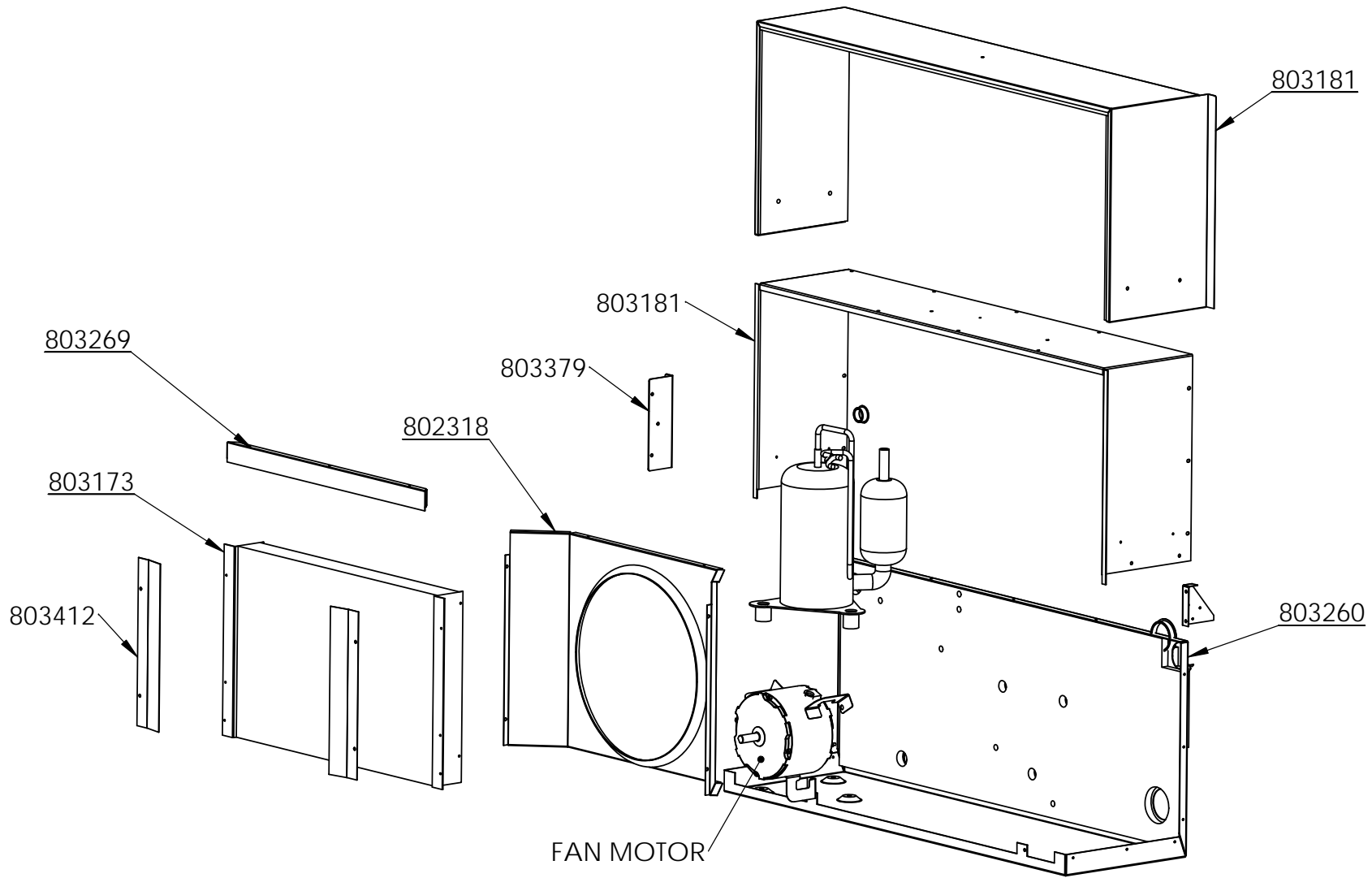
Applied
COMFORT

TITLE:

EVAP SECTION

SIZE	DWG. NO.	REV
G	K Unit 16 Series shell	00
SCALE: 1:8	WEIGHT:	SHEET 2 OF 5

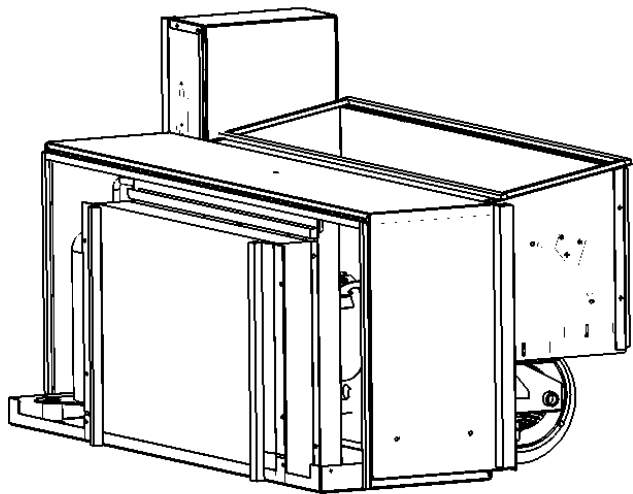
PROPRIETARY AND CONFIDENTIAL
 THE INFORMATION CONTAINED IN THIS DRAWING IS THE SOLE PROPERTY OF <INSERT COMPANY NAME HERE>. ANY REPRODUCTION IN PART OR AS A WHOLE WITHOUT THE WRITTEN PERMISSION OF <INSERT COMPANY NAME HERE> IS PROHIBITED.



				NAME		DATE		Applied COMFORT	
				DRAWN WWebber		20 Aug 2013			
				CHECKED				TITLE: CONDENSER SECTION	
				ENG APPR					
				MFG APPR					
				Q.A.					
				MATERIAL		COMMENTS:			
				FINISH					
REV	DATE	NOTES	BY			SIZE	DWG. NO.	REV	
						G	K Unit 16 Series shell	00	
APPLICATION			DO NOT SCALE DRAWING			SCALE: 1:10 WEIGHT:		SHEET 3 OF 5	

PROPRIETARY AND CONFIDENTIAL

THE INFORMATION CONTAINED IN THIS DRAWING IS THE SOLE PROPERTY OF <INSERT COMPANY NAME HERE>. ANY REPRODUCTION IN PART OR AS A WHOLE WITHOUT THE WRITTEN PERMISSION OF <INSERT COMPANY NAME HERE> IS PROHIBITED.



803459
USE 20" OF 802391
(1/2" X 1/2")

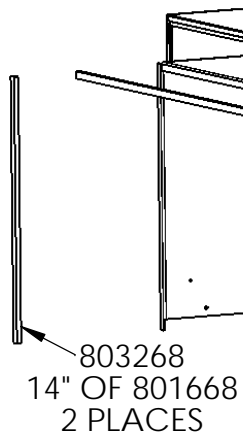
803424
31" OF 801668
2 PLACES

ATTACH 803428 (5.75" OF 802377)
TO ANGLE ON FLANGE BELOW CONTROL BOX

USE SCERW #800484

802391 X12.5"
2 PLACES

803426
6.5" OF 801668
2 PLACES



803268
14" OF 801668
2 PLACES

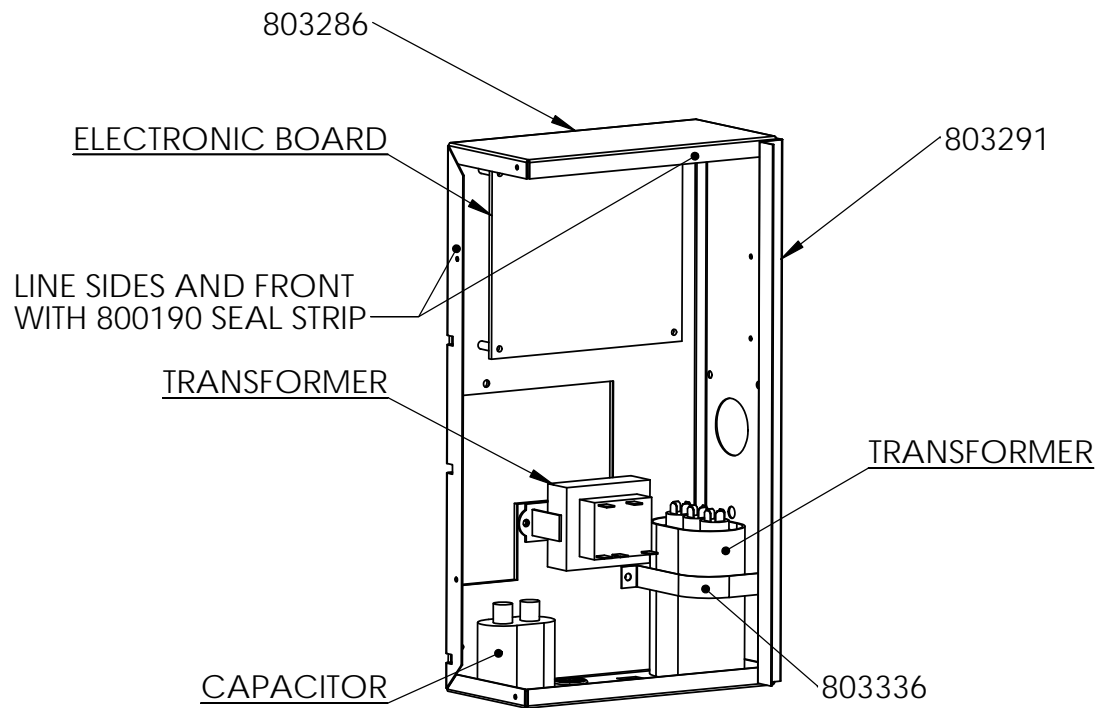
USE 3 PIE BUSHINGS BEHIND SOUND GUARD
1 ON TOP SCREW AND 2 ON SCRES CLOSEST
TO DIVIDING WALL

803427
13.75" OF 802377

				NAME		DATE		Applied COMFORT	
				DRAWN WWebber		20 Aug 2013			
				CHECKED				TITLE: SEAL STRIPS	
				ENG APPR					
				MFG APPR					
				Q.A.					
				MATERIAL		COMMENTS:			
				FINISH					
REV	DATE	NOTES	BY						
APPLICATION			DO NOT SCALE DRAWING						
SIZE		DWG. NO.		REV					
G		K Unit 16 Series shell		00					
SCALE: 1:10		WEIGHT:		SHEET 4 OF 5					

PROPRIETARY AND CONFIDENTIAL

THE INFORMATION CONTAINED IN THIS DRAWING IS THE SOLE PROPERTY OF <INSERT COMPANY NAME HERE>. ANY REPRODUCTION IN PART OR AS A WHOLE WITHOUT THE WRITTEN PERMISSION OF <INSERT COMPANY NAME HERE> IS PROHIBITED.



FRONT COVER IS PART #803288

PROPRIETARY AND CONFIDENTIAL
 THE INFORMATION CONTAINED IN THIS DRAWING IS THE SOLE PROPERTY OF <INSERT COMPANY NAME HERE>. ANY REPRODUCTION IN PART OR AS A WHOLE WITHOUT THE WRITTEN PERMISSION OF <INSERT COMPANY NAME HERE> IS PROHIBITED.

		UNLESS OTHERWISE SPECIFIED:		NAME	DATE	TITLE: ELECTRONIC CONTROL BOARD				
		DIMENSIONS ARE IN INCHES TOLERANCES: FRACTIONAL ± ANGULAR: MACH ± BEND ± TWO PLACE DECIMAL ± THREE PLACE DECIMAL ±	DRAWN	WW	09Apr14			SIZE	DWG. NO.	REV
		INTERPRET GEOMETRIC TOLERANCING PER:	CHECKED					A	K Unit 16 Series shell	
		MATERIAL	ENG APPR.							
		FINISH	MFG APPR.					SCALE: 1:10		WEIGHT:
NEXT ASSY	USED ON	COMMENTS:	Q.A.							
APPLICATION		DO NOT SCALE DRAWING								