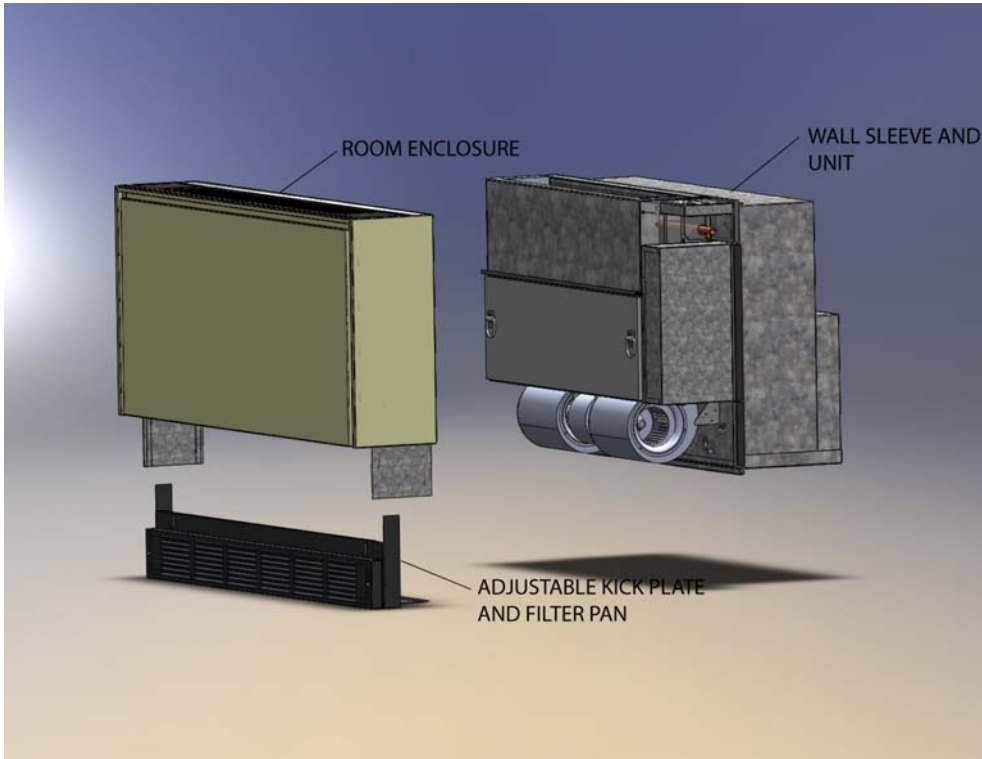


Installation: Room enclosure

For use with Applied Comfort room enclosure

Applied Packaged Terminal Air Conditioner
K unit with or without top mount Hydronic heat

Room enclosure Installation



INSTALLATION

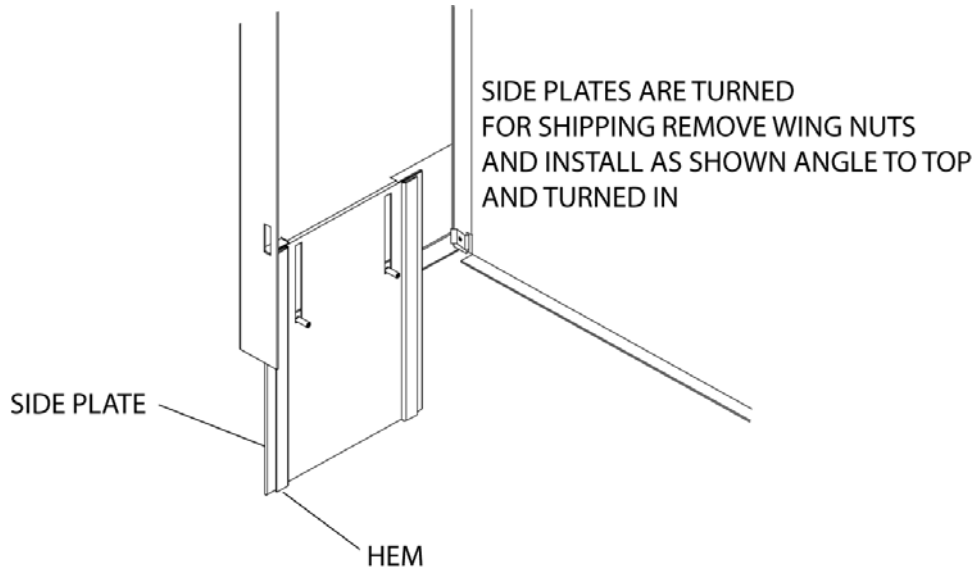
The room enclosure is the last piece to install. The following instructions assume all components have been installed, piped and anchored properly.

All major room construction should be complete so as not to damage the room enclosure after it has been installed. Attaching the room enclosure can be completed as follows.

NOTE: If you are using an existing room enclosure the existing kick plate must be replaced with the kick plate/ filter pan assembly provided by Applied Comfort.

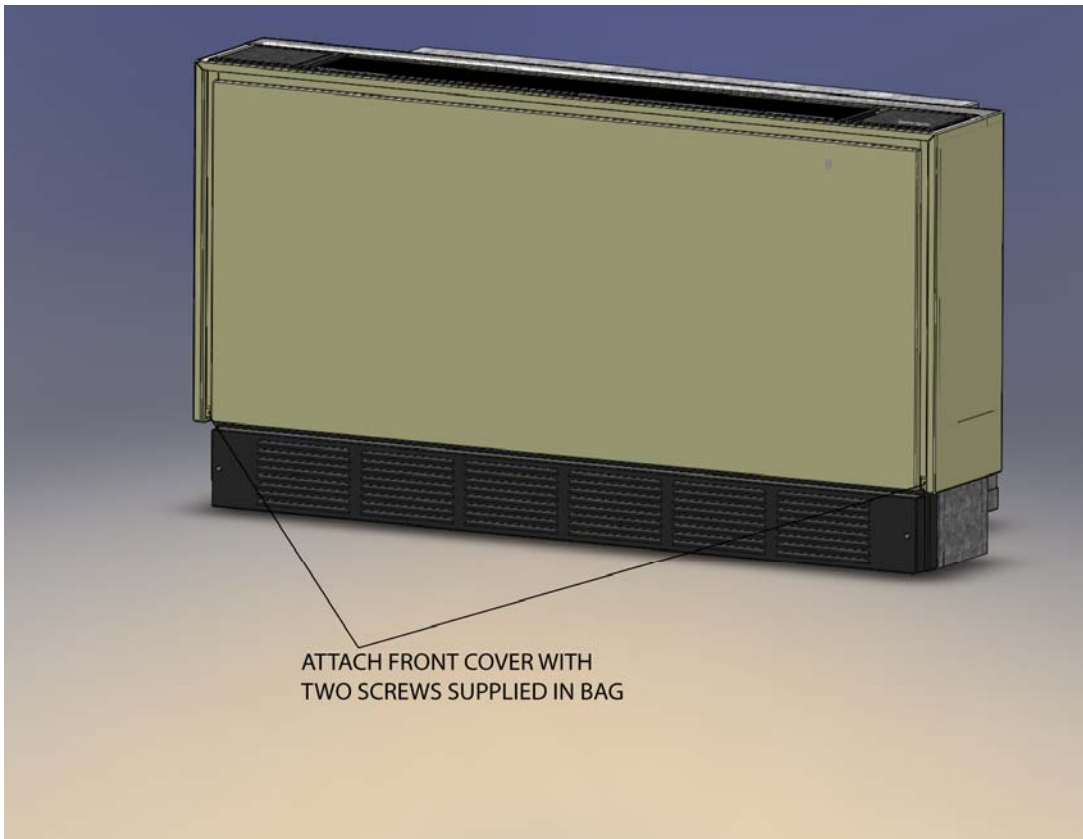
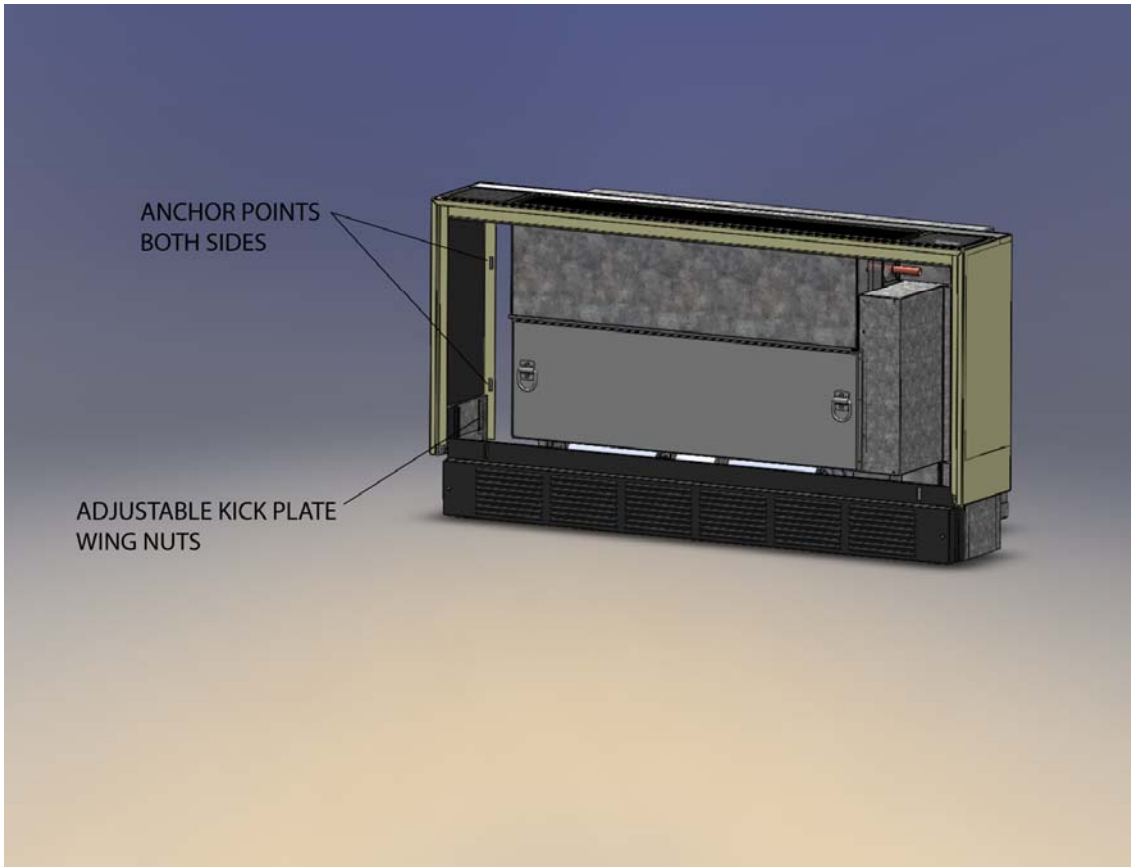
1. Firmly grip the room enclosure and lift it over the heat section and lower down onto the air collar.
2. Screw the cabinet to the wall using the existing holes provided on each side of the enclosure
3. Remove the four (4) wing nuts on the adjustable side plates flip them over and replace nuts. Slide kick plate into hem in front edge of side plates. Lower base until it sits firmly on the floor.
4. Tighten the wing bolts to secure the base and ensure a proper fit.

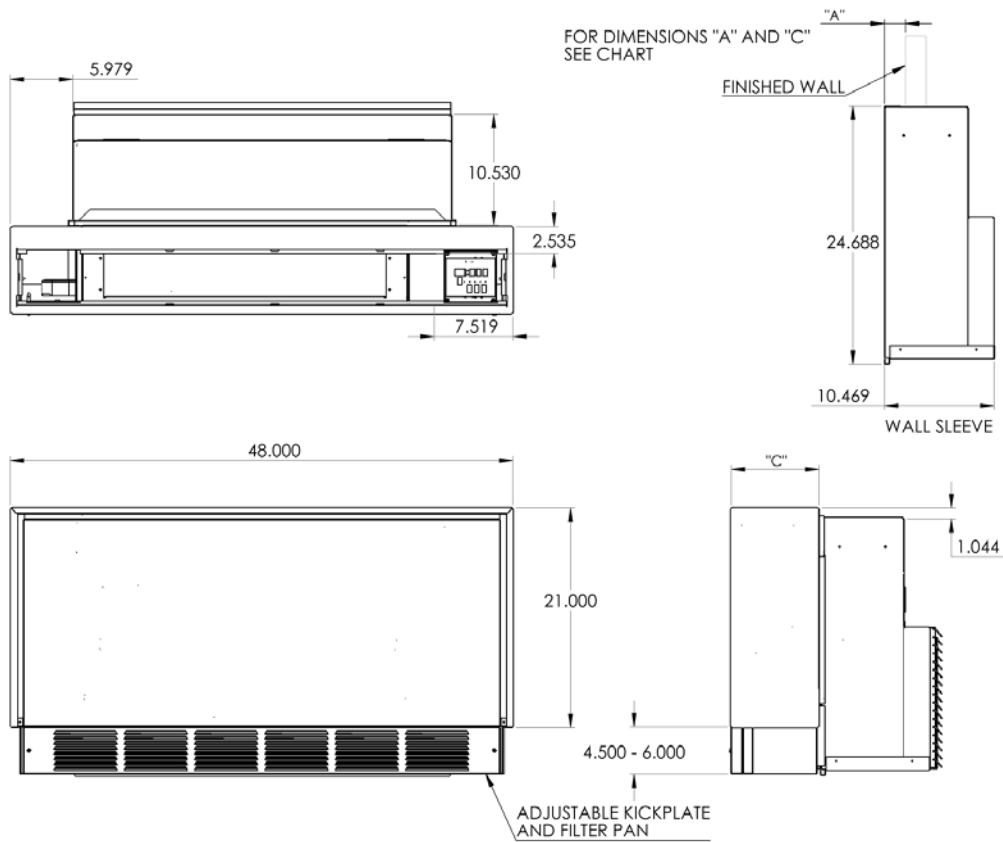
5. To install the front panel, lift the panel high enough to engage into the angled flange on the top of the cabinet. Lower the front until it sits firmly on the top flange. Due to new safety rules the door must be mechanically attached to the sleeve. Using the 2 screws provided attach the front cover onto the room enclosure.
6. Wipe any dirt and smudges off of the room enclosure and front panel using a mild detergent and a soft cloth.



NOTE:

The kick plate kit is universal for existing room enclosures as well as for use with Applied Comfort's Room Enclosure. There will be unused parts when installing the kick plate with an Applied Comfort Room enclosure please discard these parts. The Door support is not required for Applied Comfort room enclosure's the door bolt as well as the keps nuts are also not required. Please follow these instructions when installing a kick plate with Applied Comfort's Room enclosure

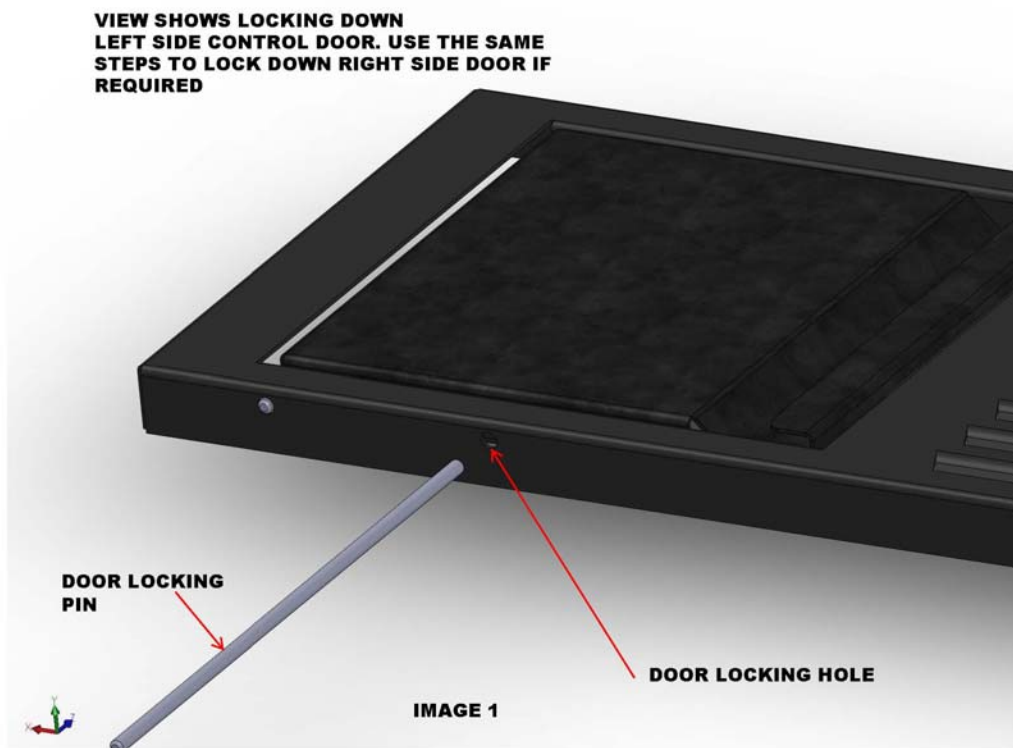




ROOM ENCLOSURE DIMENSIONS			
DIMENSION "A"		DIMENSION "C"	
inches	mm	inches	mm
0	0	8.375	213
0 to 1	0 - 25	9.375	238
1 to 2	25 - 51	10.375	263
2 to 3	51 - 76	11.375	289
3 to 4	76 - 102	12.375	314
4 to 5	102 - 127	13.375	340
5 to 6	127 - 152	14.375	365
6 to 7	152 - 178	15.375	390
7 to 8	178 - 203	16.375	416

Control box mounting:

The K chassis was designed to allow mounting of controls on either the left or the right side of the room enclosure. The grille must be installed into the room enclosure before mounting the control box. You must first determine which side you will need the control box to mount, using the supplied hinge pin (5.375" long pin) insert it into the door that will not be used to lock it down (image 1). Mount the grill into the room enclosure and bend tabs to secure the grille. Mount the room enclosure to the wall as per above instructions. To mount the control box to the room enclosure, first remove the 4 black Philips head screws from the top face of the control box. Remove the room enclosure door if you have not already done this then open the door in the grill and place the control box under the grill through the unit door opening. Align the 4 screw holes in the grille control door opening with the control box holes and insert the 4 black Philips head screws (image 2).



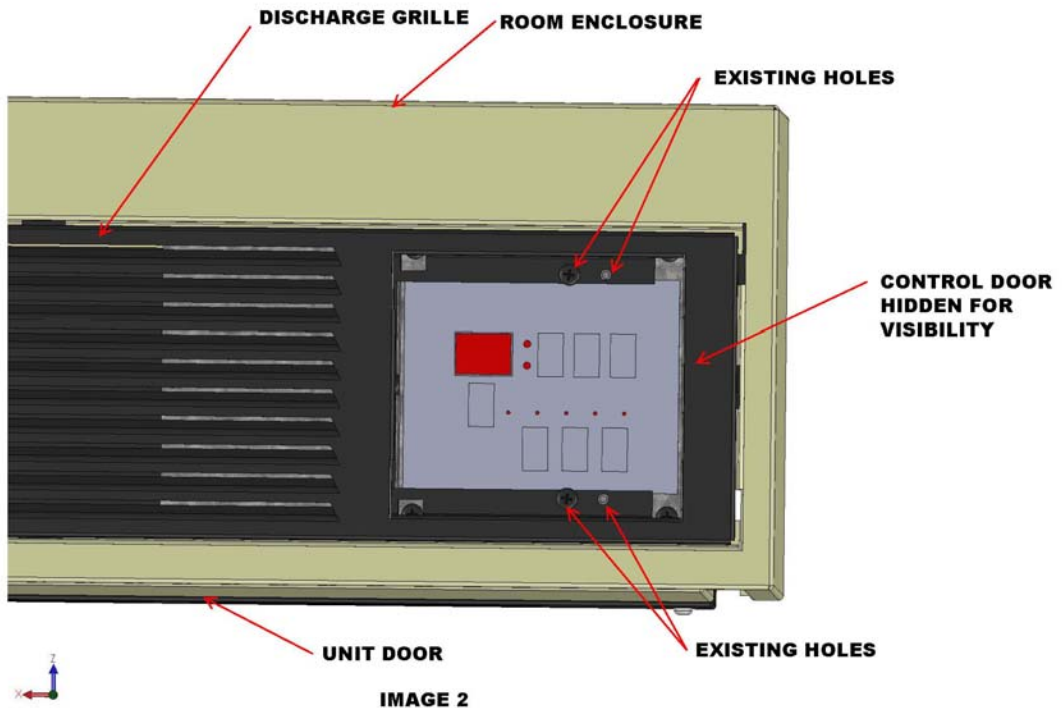


IMAGE 2