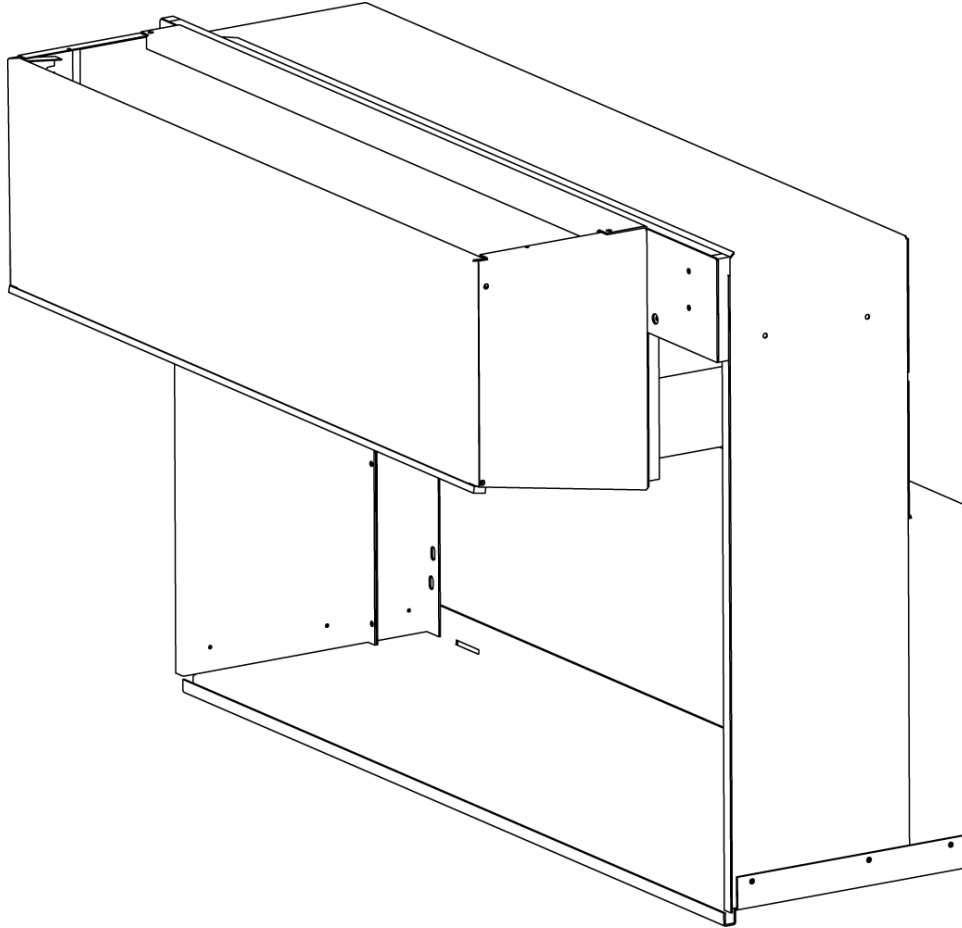


Installation and Maintenance: Collar section

Applied Packaged Terminal Air Conditioner
KEC

Collar installation



INSTALLATION

The Collar section is installed at the top of the wall sleeve (which should have been set in place prior to installing the heat section). Refer to figure 2 which illustrates the placement of the Collar section into the wall sleeve. Note that the side brackets have two slides on either side of the sleeve. The locking brackets hold the collar in place prior to installing unit.

Attaching the Collar can be completed as follows.

1. Unpack the collar assembly and inspect for any damage. Report any damage found to the carrier immediately.

2. Attach the collar to the wall sleeve by lining up the side brackets with the collar slides provided in the wall sleeve. To secure the heating assembly push locking brackets down firmly until the notches seat on the bottom (see detail 3).

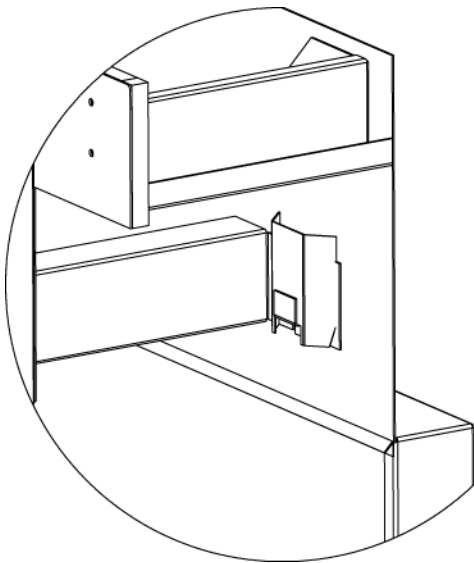
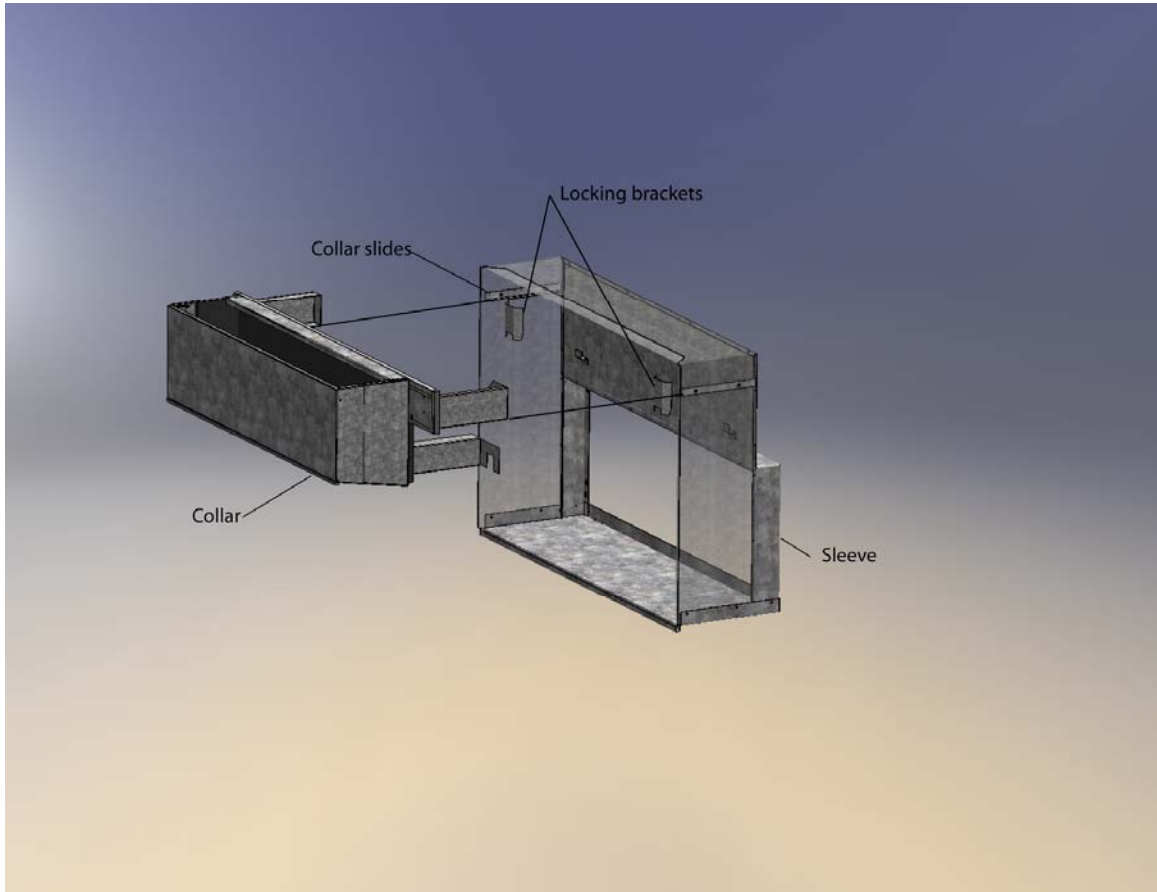


FIGURE #3