

J

Series

JW (hydronic)

JE (electric)

Applied COMFORT



Fits standard 36" wide x 27" high inner sleeve & 29 3/4" wide x 13 7/8" high outer sleeve

Premium, . . . meet Affordable!

ENERGY VERIFIED REPLACEMENT FOR:

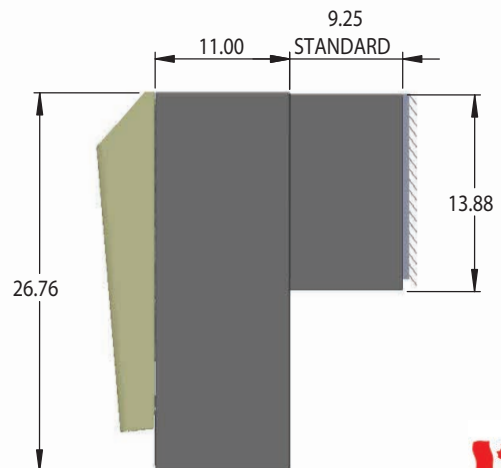
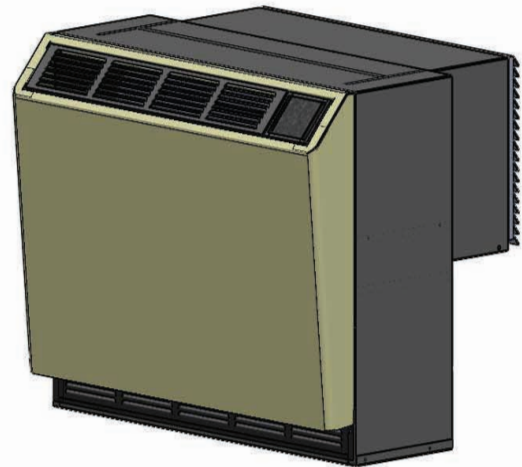
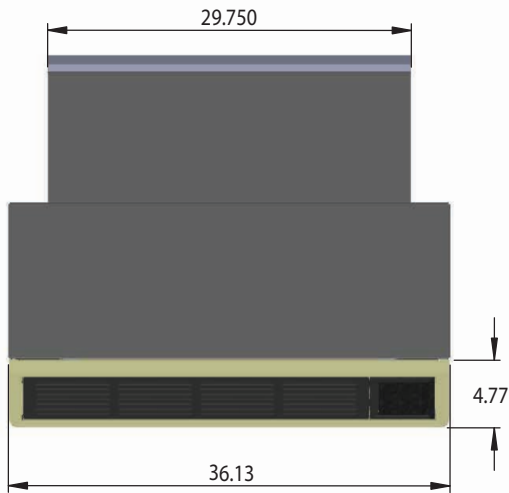
J, EJ, PMEJ - McQuay®, Singer®, Remington®,
Islandaire®, Retroaire®

NEW FOR 2017!

Applied Comfort's new J Chassis is a COMPLETE REPLACEMENT for ALL SECTIONS of the J Chassis.

Update the cooling, heating, controls, and cover with premium components all at once, and at an affordable price.

An innovative design with modern components, provides quiet comfort and class-leading energy efficiency!

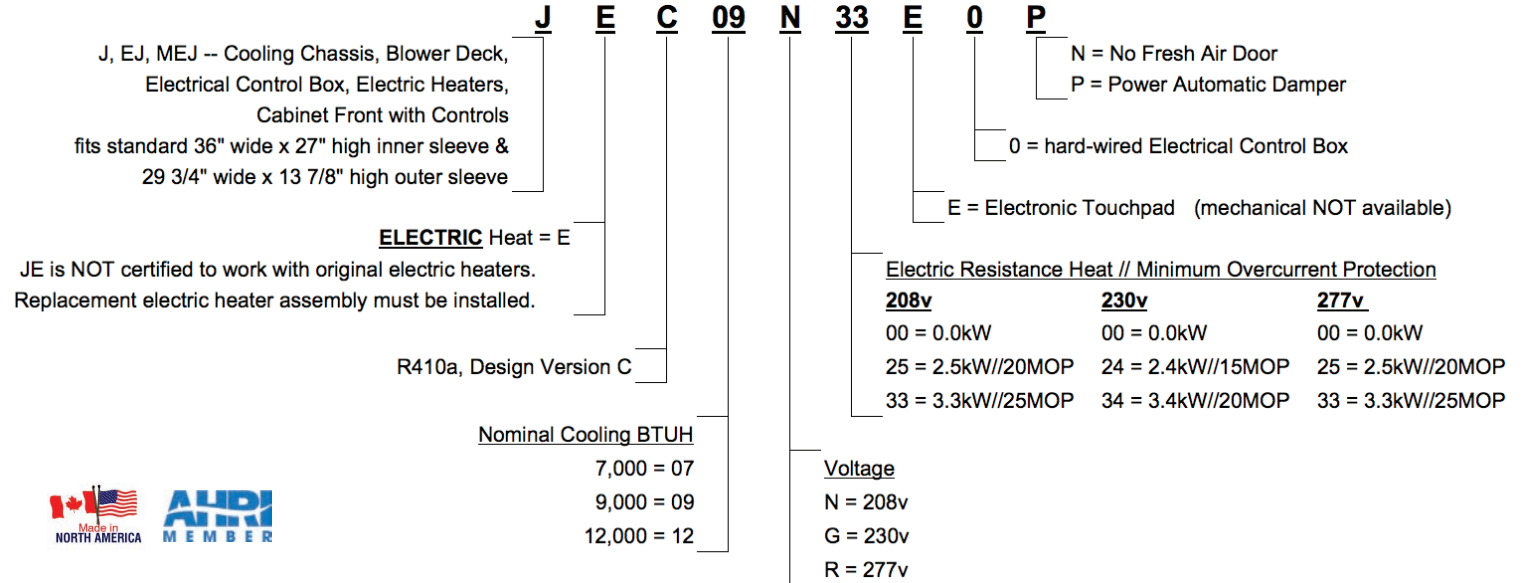


Premium

www.ptacs.com

Affordable

Cooling Chassis + Indoor Fan Assembly + Electrical Box + Modern Room Enclosure + Electronic Touchpad Control + Heater Assembly



JEC Air Conditioner with Electric Resistance Heat

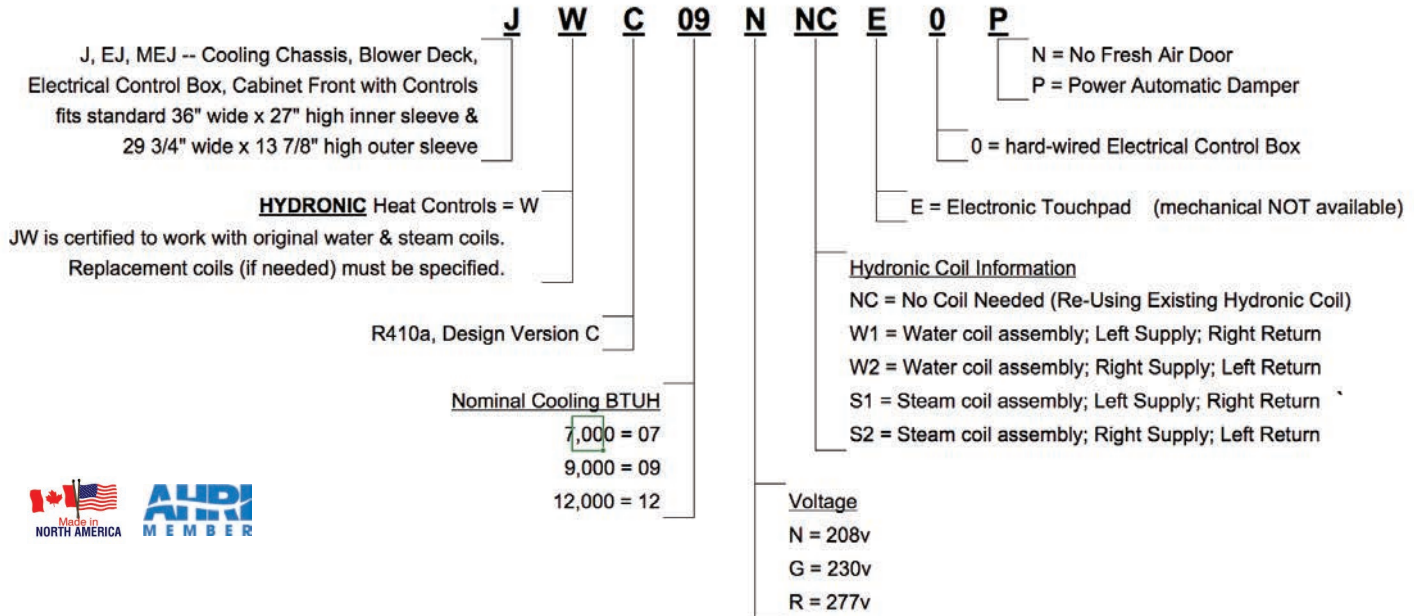
HARD-WIRED CONNECTION of ELECTRIC CONTROL BOX TO BUILDING POWER SUPPLY

with MOLEX CONNECTION OF BLOWER, HEATER, COOLING CHASSIS, & FRONT COVER TOUCHPAD

Model	Voltage	Hz	Min. Circuit Amps	MOP* Fuse Amps	Electrical Plug (NEMA)	Cooling					Resistance Heat			Indoor CFM HIGH*	Indoor CFM LOW*	Vent CFM	Net Wt. lbs.	Ship Wt. lbs.
						BTU/Hr.	EER	Amps	S/T	Pts./hr.	BTU/Hr.	kW	Amps					
JEC07N00E0P	208	60	tbd	15	hard-wired	7000	10.4	tbd	tbd	tbd	0	0.0	0	320	270	35	tbd	tbd
JEC07N25E0P	"	"	"	20	hard-wired	"	"	"	"	"	tbd	2.5	tbd	"	"	"	"	"
JEC07N33E0P	"	"	"	25	hard-wired	"	"	"	"	"	"	3.3	"	"	"	"	"	"
JEC09N00E0P	"	"	tbd	15	hard-wired	8900	9	tbd	tbd	tbd	0	0.0	0	320	270	35	tbd	tbd
JEC09N25E0P	"	"	"	20	hard-wired	"	"	"	"	"	tbd	2.5	tbd	"	"	"	"	"
JEC09N33E0P	"	"	"	25	hard-wired	"	"	"	"	"	"	3.3	"	"	"	"	"	"
JEC12N00E0P	"	"	tbd	15	hard-wired	11700	8.6	tbd	tbd	tbd	0	0.0	0	320	270	35	tbd	tbd
JEC12N25E0P	"	"	"	20	hard-wired	"	"	"	"	"	tbd	2.5	tbd	"	"	"	"	"
JEC12N33E0P	"	"	"	25	hard-wired	"	"	"	"	"	"	3.3	"	"	"	"	"	"
JEC07G00E0P	230	"	tbd	15	hard-wired	7000	10.4	tbd	tbd	tbd	0	0.0	0	320	270	35	tbd	tbd
JEC07G24E0P	"	"	"	15	hard-wired	"	"	"	"	"	tbd	2.4	tbd	"	"	"	"	"
JEC07G34E0P	"	"	"	20	hard-wired	"	"	"	"	"	"	3.4	"	"	"	"	"	"
JEC09G00E0P	"	"	tbd	15	hard-wired	8900	9	tbd	tbd	tbd	0	0.0	0	320	270	35	tbd	tbd
JEC09G24E0P	"	"	"	15	hard-wired	"	"	"	"	"	tbd	2.4	tbd	"	"	"	"	"
JEC09G34E0P	"	"	"	20	hard-wired	"	"	"	"	"	"	3.4	"	"	"	"	"	"
JEC12G00E0P	"	"	tbd	15	hard-wired	11700	8.6	tbd	tbd	tbd	0	0.0	0	320	270	35	tbd	tbd
JEC12G24E0P	"	"	"	15	hard-wired	"	"	"	"	"	tbd	2.4	tbd	"	"	"	"	"
JEC12G34E0P	"	"	"	20	hard-wired	"	"	"	"	"	"	3.4	"	"	"	"	"	"
JEC07R00E0P	277	"	tbd	15	hard-wired	7000	10.4	tbd	tbd	tbd	0	0.0	0	320	270	35	tbd	tbd
JEC07R25E0P	"	"	"	15	hard-wired	"	"	"	"	"	tbd	2.5	tbd	"	"	"	"	"
JEC07R33E0P	"	"	"	20	hard-wired	"	"	"	"	"	"	3.3	"	"	"	"	"	"
JEC09R00E0P	"	"	tbd	15	hard-wired	8900	9	tbd	tbd	tbd	0	0.0	0	320	270	35	tbd	tbd
JEC09R25E0P	"	"	"	15	hard-wired	"	"	"	"	"	tbd	2.5	tbd	"	"	"	"	"
JEC09R33E0P	"	"	"	20	hard-wired	"	"	"	"	"	"	3.3	"	"	"	"	"	"
JEC12R00E0P	"	"	tbd	15	hard-wired	11700	8.6	tbd	tbd	tbd	0	0.0	0	320	270	35	tbd	tbd
JEC12R25E0P	"	"	"	15	hard-wired	"	"	"	"	"	tbd	2.5	tbd	"	"	"	"	"
JEC12R33E0P	"	"	"	20	hard-wired	"	"	"	"	"	"	3.3	"	"	"	"	"	"

*Time Delay Fuse or HCAR Circuit Breaker ---- *Dry Coil.
 Based on ASHRAE and AHRI test conditions of 95 degrees F DB / 75 degrees F WB outside, 80 degrees F DB / 67 degrees F WB inside.
 Electric Resistance Heat Watts x 3.41 = Btu/h. Electric Heating Watts and Amps include Indoor Fan Motor.
 Cooling Full Load Amps includes Compressor, IDF and ODF FLA's.
 Electric Heat MCA, Time Delay Fuse and NEMA Receptacle data are based on 240V and 277V.

Cooling Chassis + Indoor Fan Assembly + Electrical Box + Modern Room Enclosure + Electronic Touchpad Control +/- Heater Assembly



JWC Air Conditioner for use with Hydronic Heat

HARD-WIRED CONNECTION of ELECTRIC CONTROL BOX TO BUILDING POWER SUPPLY
 with MOLEX CONNECTION OF BLOWER, COOLING CHASSIS, & FRONT COVER TOUCHPAD

Note: JW is certified for use with original hydronic coils. If new coils are required, they must be specified as per nomenclature.

Model	Voltage	Hz	Min. Circuit Amps	MOP* Fuse Amps	Electrical Plug (NEMA)	Cooling					Indoor CFM HIGH ^e	Indoor CFM LOW ^e	Vent CFM	Net Wt. lbs.	Ship Wt. lbs.
						BTU/Hr.	EER	Amps	S/T	Pts./hr.					
JWC07N00E0P	208	60	tbd	15	hard-wired	7000	10.4	tbd	tbd	tbd	320	270	35	tbd	tbd
JWC09N00E0P	"	"	tbd	15	hard-wired	8900	9	tbd	tbd	tbd	320	270	35	tbd	tbd
JWC12N00E0P	"	"	tbd	15	hard-wired	11700	8.6	tbd	tbd	tbd	320	270	35	tbd	tbd
JWC07G00E0P	230	"	tbd	15	hard-wired	7000	10.4	tbd	tbd	tbd	320	270	35	tbd	tbd
JWC09G00E0P	"	"	tbd	15	hard-wired	8900	9	tbd	tbd	tbd	320	270	35	tbd	tbd
JWC12G00E0P	"	"	tbd	15	hard-wired	11700	8.6	tbd	tbd	tbd	320	270	35	tbd	tbd
JWC07R00E0P	277	"	tbd	15	hard-wired	7000	10.4	tbd	tbd	tbd	320	270	35	tbd	tbd
JWC09R00E0P	"	"	tbd	15	hard-wired	8900	9	tbd	tbd	tbd	320	270	35	tbd	tbd
JWC12R00E0P	"	"	tbd	15	hard-wired	11700	8.6	tbd	tbd	tbd	320	270	35	tbd	tbd

*Time Delay Fuse or HCAR Circuit Breaker --- ^eDry Coil --- Based on ASHRAE and AHRI test conditions of 95 degrees F DB / 75 degrees F WB outside, 80 degrees F DB / 67 degrees F WB inside. Cooling Full Load Amps includes Compressor, IDF and ODF FLA's.

Model	Voltage	Hz	Hot Water Heat HIGH SPEED	Hot Water Heat LOW SPEED	Steam Heat HIGH SPEED	Steam Heat LOW SPEED	Heating Current Amps
			BTU/Hr.	BTU/Hr.	BTU/Hr.	BTU/Hr.	
JWC -- ALL	NA	60	11,600	10,700	19,100	17,500	<1

Based on 200°F EWT, 180°F LWT; 2 psig steam -- 65°F EAT.

Output to Valve: Line Voltage

NOTE: Applied Comfort JW is designed for use with original hydronic coils, so the replacement of hydronic coils is not required for proper performance. However, if new hydronic coils are required, they must be specified.