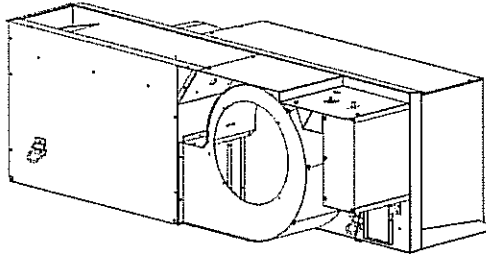


# INSTALLATION GUIDE FOR Applied Comfort EA, RS, and ES Chassis

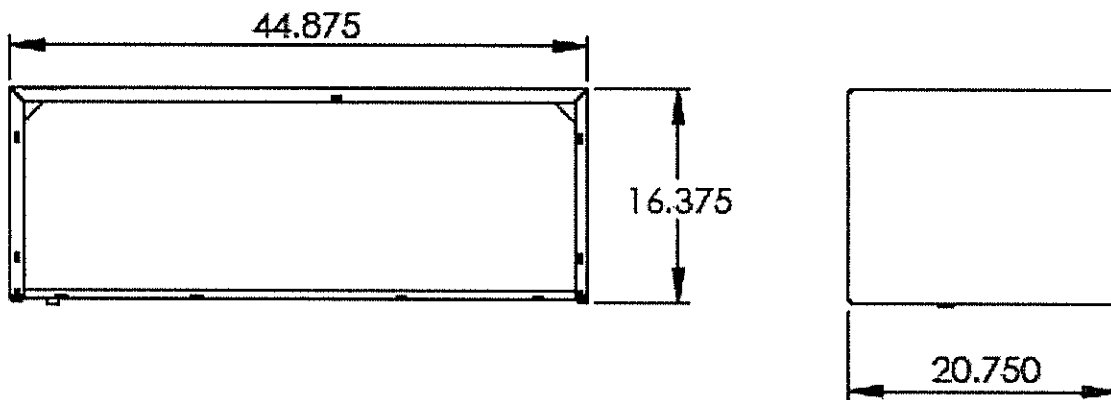
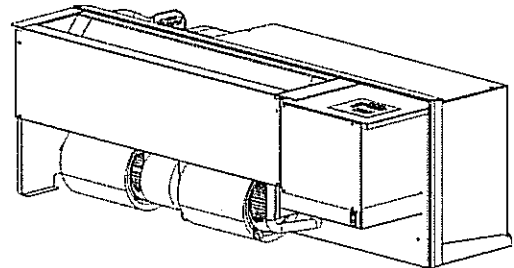
August 2013

Applied Comfort's EA, RS, ES chassis are designed for new construction or to retrofit into 44.875" x 16.375" sleeves manufactured by McQuay, Remington, Singer and others.

**EAEC Electric Heat**  
**EAWC Hydronic Heat**

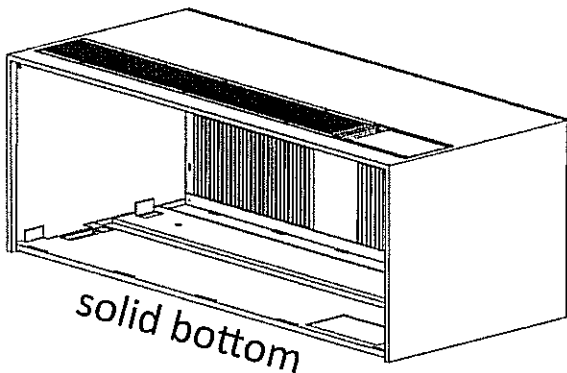


**RSHP Heatpump**  
**ESEC Electric Heat**

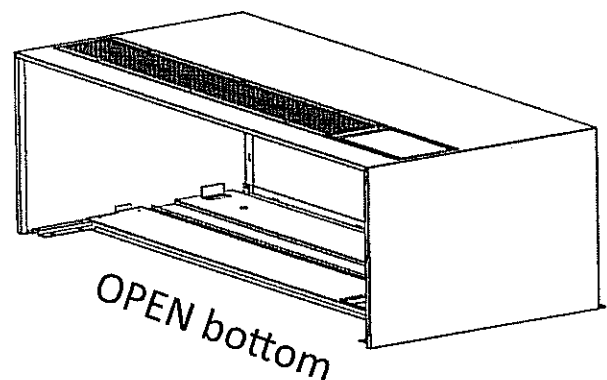


There are 2 types of 44.875 x 16.375 sleeves – OPEN BOTTOM (otherwise known as Bottom Return or "RS" sleeves) and SOLID BOTTOM (otherwise known as "EA" sleeves).

**SOLID BOTTOM SLEEVE**



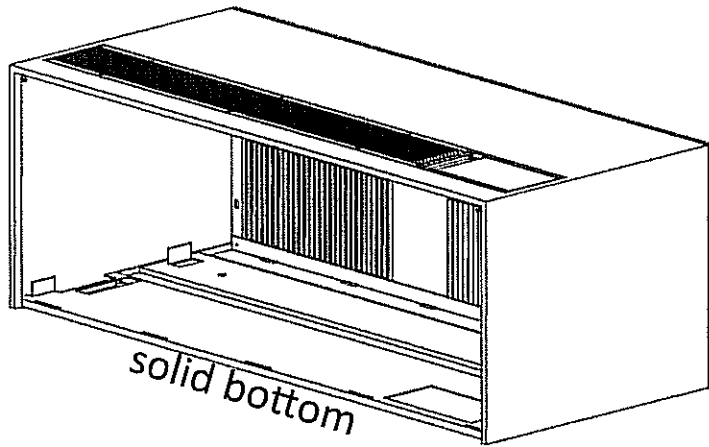
**OPEN BOTTOM SLEEVE**



When installing EA, RS, and ES replacements, ensuring proper evaporator airflow is critical. The following 2 pages describe the front panels and retrofit kits that are available to ensure proper installation depending on the combination of sleeve type (Solid or Open Bottom) and desired chassis type (EA Electric, RS Heatpump, ES Electric).

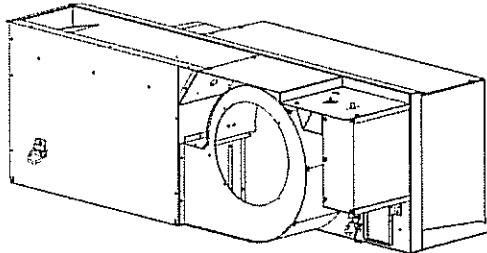
Please call us at Applied Comfort anytime you would like to discuss the options. 1-877-227-7822

# SOLID BOTTOM SLEEVE



EA , RS, and ES chassis can be installed into original SOLID BOTTOM sleeves, if the correct front covers are used. The Solid Bottom sleeves were the dominant type made by McQuay, Singer, Remington – solid except for a hole for power cords.

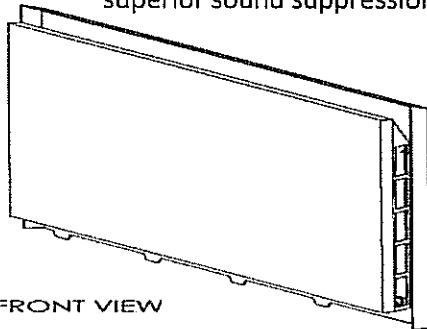
**EAEC Electric Heat**  
**EAWC Hydronic Heat**



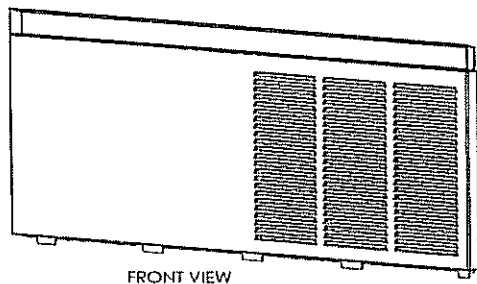
Applied Comfort's EA is designed to function with the original EA front covers (McQuay, Singer, Remington) with air return around the entire periphery of the front cover. We also offers 2 optional covers:



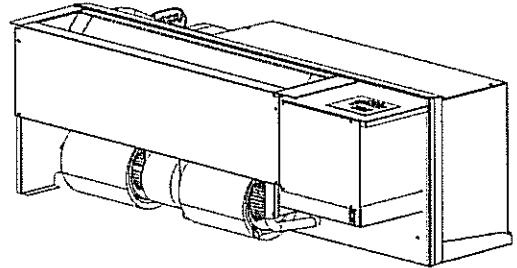
**ACCEA\_FTCOVER\_PREMIUM** -- premium double panel design with double insulation, free front airflow and superior sound suppression.



**ACCEA\_FTCOVER\_SIMPLE** -- simple single panel design with grille cuts directly on front panel as shown, with less sound suppression, but at a lower cost.



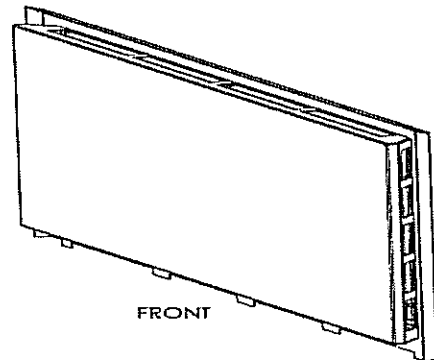
**RSHP Heatpump**  
**ESEC Electric Heat**



Applied Comfort's RS & ES can be installed into a SOLID BOTTOM sleeve if the ACCRS\_FTCOVER\_FRONTRETURN cover is installed.

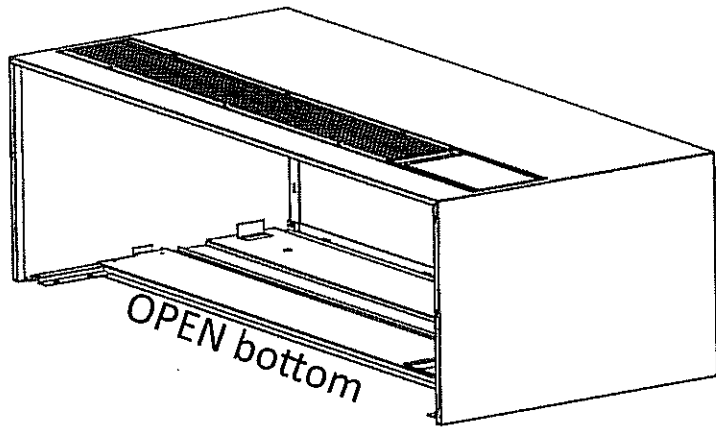


**ACCRS\_FTCOVER\_FRONTFLOW** -- premium double panel design with double insulation, free front airflow and superior sound suppression.



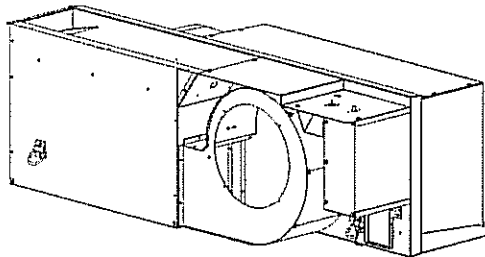
*Note that an ACCRS\_FTCOVER\_SIMPLE is also available – it is a less costly Kit utilizing a single panel cover with grille cuts but it is less effective at sound suppression.*

# OPEN BOTTOM SLEEVE



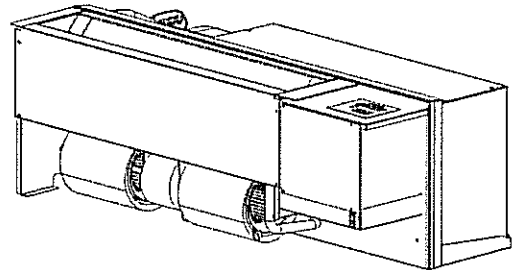
The OPEN Bottom sleeves (open on the first 6" of the sleeve facing the room) were made by McQuay, Singer, Remington to provide bottom-return airflow for the original RS Heatpump designs.

**EAEC Electric Heat  
EAWC Hydronic Heat**



EA's are designed to function with OPEN BOTTOM sleeves if ACCEA\_RSRETROFIT\_PREMIUM is installed.

**RSHP Heatpump  
ESEC Electric Heat**



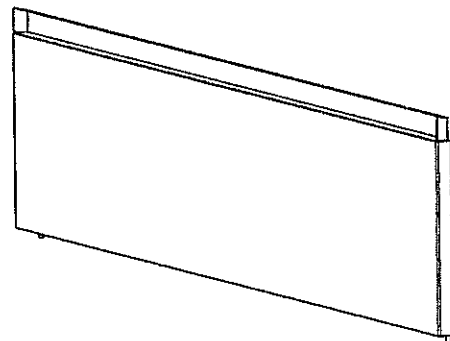
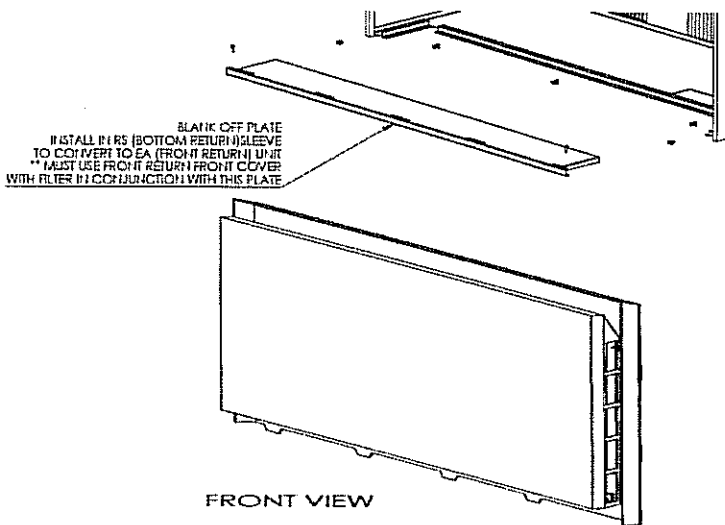
RS and ES chassis can be installed directly into original OPEN BOTTOM sleeves with original covers. The following replacement cover is also available.



**ACCEA\_RSRETROFIT\_PREMIUM** – consists of a blankout plate to close off the open bottom of the sleeve, + premium front panel of double panel design with double insulation, free front airflow and superior sound suppression.



**ACCRS\_FTCOVER\_BOTTOMFLOW** – solid panel (no airflow) with insulation – this panel can ONLY be used when installing into an open bottom sleeve with free airflow through bottom of sleeve.



Note that an ACCEA\_RSRETROFIT\_SIMPLE is also available – it is a less costly RETROFIT Kit utilizing the simple single panel cover but with less sound suppression.