

Certified Drawing --- Type: DMQC --- 18 Apr 2018 --- Applied Comfort Products
Carver Inc. --- www.ptacs.com --- 1.877.227.7822 -- Applied Comfort Packaged
Terminal Air Conditioner with Electric Resistance Heat -- 18" x 32" Model DMQC
General Specifications

Heating/Cooling Chassis.

- Safety Compliance -- The DMQC is a listed product eligible to bear the CSA Mark, cCSAus Mark (US and Canada Safety Compliance). The DMQC is produced in a CSA inspected factory in Cambridge, Ontario, Canada.
- 3rd Party Energy Performance Verification -- The Cooling-Capacity and Energy Performance Verification Testing for the DMQ Series of chassis is conducted by Intertek Labs – certified Reports are available upon request – these tests cover the full range of cooling outputs available for the DM Series. The Cooling-Capacity Tests were conducted in accordance with ANSI/ASHRAE Standard 310 / 380
- General Construction -- Complete air cooled refrigeration system with R-410A refrigerant. The units 36" width allows for use in constrained areas and produces a smaller footprint with great efficiency. The dual motor unit has separate condenser and evaporator fan motors providing greater reliability during winter operation. Single motor units, having both fans on a common shaft, are subject to failure if snow or ice in the condenser section prevents the fan from turning freely. The large low rotational speed indoor motor keeps indoor sound levels down even when operated on high speed. Electric resistance heat (optional) capacities up to 5KW. Power cord exists from under right side.

Control options

Digital Touchpad Control

- The DMQC Digital Control is used to control the integral air conditioner and heat source via a touchpad, or optional remote 24-volt wall mounted thermostats.
- Chassis comes with standard 5 wire connection harness for thermostats; control by external thermostat is switched using dip switches.

Rotary Mechanical Control

- Mechanical rotary switch and rotary room thermostat controls, with large clearly readable, easy to adjust knobs

Wall Sleeve

- Industry standard 18" x 32", made of galvanized, phosphatized, heavy-gauge steel. Coated with electrostatically applied, baked on, industry standard beige urethane powder paint for maximum corrosion protection.

Room Cabinet

- Room Grille & Control Door -- Sloped top discharge with one piece extruded and punched aluminum grille powder-coated light grey. Enclosure completely encloses controls.
- Integrated Room Cabinet – Heavy duty Integrated powder-coated 18 ga. metal front panel is built to take abuse and not lose its aesthetic value and is removable without use of tools. Color is industry-standard beige. New front shipped with every chassis.

Electric heat Section

- Consists of low mass, quick warm-up type electric heater(s) with high limit cut-out.

Power Cord

- LCDI power cord is supplied with 208/230V chassis, and standard non-LCDI with 277V chassis.

Louvers

- Architectural type with silver powder-coating baked on.
- Optional stamped 22gauge powder-coated steel grilles.

Fresh Air Damper

- A fresh air vent selector lever is visible under the deck once the front panel is removed. Move the lever to the left to open the fresh air door if desired, according to the label affixed to the front edge of the deck. For maximum cooling the fresh air door should remain closed.

4" Sub-Base (optional)

- Sub-base 4", with adjustable supporting feet, mounts to bottom of sleeve. Provides a location for electrical connections and a receptacle. Color is industry-standard beige.

Duct kit (optional)

- Insulated duct kit to supply conditioned air to adjoining space. Color is industry-standard beige.

Internal Drain kit (optional)

- The drain kit is used when it is desirable to drain condensate to an internal drain system in the building. Must be installed on the bottom of the wall sleeve prior to sleeve installation.

Sleeve Extension kit internal (optional)

- 2 1/8" wide painted steel flange kit mounts to the front of sleeve to accommodate thick wall applications. This kit is not compatible with external duct kit accessory.

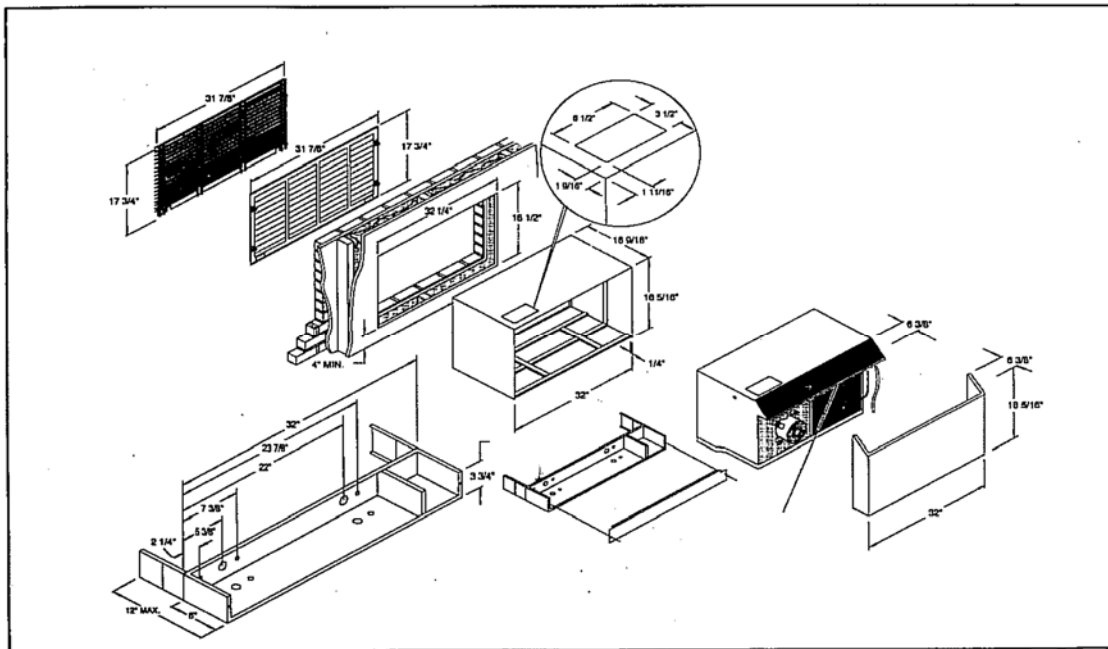
Filter

- Unit is shipped with a washable foam filter, removable without the use of tools.

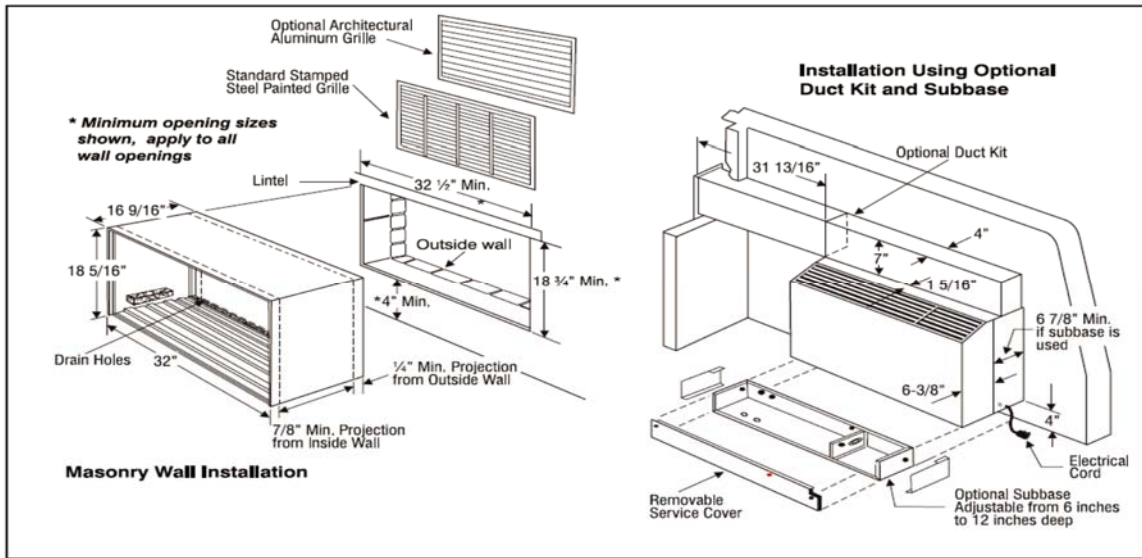
DMQC

Dimensions – Wall Profile

NOTE: Sleeve must be installed a minimum of 4" to max of 4 7/8" off the floor.



Certified Drawing --- Type: DMQC --- 18 Apr 2018 --- Applied Comfort Products
 Carver Inc. --- www.ptacs.com --- 1.877.227.7822 -- Applied Comfort Packaged
 Terminal Air Conditioner with Electric Resistance Heat -- 18" x 32" Model DMQC



Capacity and Physical Data

Model	Voltage	Hz	Cooling Btuh ¹	EER	Cooling Amps ²	Dehu. (Pts/hr)	Heating (Btu/hr)	Heater (KW)	Amps (Htg.)	Fuse (Amps)	Indoor SCFM ³	Vent SCFM ³	Net Wt. (lbs.)
DMQC09K00	230-208	60	9000	10.6	4.1/4.4	2.0	N/A	N/A	N/A	15	310	40	132
DMQC09K25	230-208	60	9000	10.6	4.1/4.4	2.0	8800/7200	2.5/2.1	11.5/10.3	15	310	40	132
DMQC09K34	230-208	60	9000	10.6	4.1/4.4	2.0	11900/9700	3.4/2.8	15.3/13.9	20	310	40	132
DMQC09K50	230-208	60	9000	10.6	4.1/4.4	2.0	17300/14200	5.0/4.1	22.3/20.2	30	310	40	132
DMQC12K00	230-208	60	11700	9.8	5.5/5.8	3.3	N/A	N/A	N/A	15	300	40	135
DMQC12K25	230-208	60	11700	9.8	5.5/5.8	3.3	8800/7200	2.5/2.1	11.5/10.3	15	300	40	135
DMQC12K34	230-208	60	11700	9.8	5.5/5.8	3.3	11900/9700	3.4/2.8	15.3/13.9	20	300	40	135
DMQC12K50	230-208	60	11700	9.8	5.5/5.8	3.3	17300/14200	5.0/4.1	22.3/20.2	30	300	40	135
DMQC15K00	230-208	60	13700	9.1	7.2/7.5	4.3	N/A	N/A	N/A	15	300	40	135
DMQC15K25	230-208	60	13700	9.1	7.2/7.5	4.3	8800/7200	2.5/2.1	11.5/10.3	15	300	40	135
DMQC15K34	230-208	60	13700	9.1	7.2/7.5	4.3	11900/9700	3.4/2.8	15.3/13.9	20	300	40	135
DMQC15K50	230-208	60	13700	9.1	7.2/7.5	4.3	17300/14200	5.0/4.1	22.3/20.2	30	300	40	135
DMQC09R00	277	60	9000	10.6	3.7	2.0	N/A	N/A	N/A	15	300	40	132
DMQC09R30	277	60	9000	10.6	3.7	2.0	10500	3.0	11.5/10.3	15	300	40	132
DMQC09R34	277	60	9000	10.6	3.7	2.0	11900	3.4	15.3/13.9	20	300	40	132
DMQC09R40	277	60	9000	10.6	3.7	2.0	13900	4.0	20.3/20.2	20	300	40	132
DMQC12R00	277	60	11700	9.8	5	3.3	N/A	N/A	N/A	15	300	40	135
DMQC12R30	277	60	11700	9.8	5	3.3	10500	3.0	11.3	15	300	40	135
DMQC12R34	277	60	11700	9.8	5	3.3	11900	3.4	12.8	20	300	40	135
DMQC12R40	277	60	11700	9.8	5	3.3	13900	4.0	15	20	300	40	135
DMQC15R00	277	60	13700	9.1	6.5	4.3	N/A	N/A	11.3	15	300	40	135
DMQC15R30	277	60	13700	9.1	3.8	4.3	10500	3.0	12.8	15	300	40	135
DMQC15R34	277	60	13700	9.1	3.8	4.3	11900	3.4	15	20	300	40	135
DMQC15R40	277	60	13700	9.1	5.4	4.3	13900	4.0	N/A	20	300	40	135
DMC HIGH OUTPUT	HIGH COOLING, HIGH CFM is available by special order with the following specifications: 230v, 14,300Btuh cooling, 8.9EER, 0-5Kw Electric Heat, 390 CFM Indoor. Call for price and availability.												

1. Based on ASHRAE and ARI test conditions of 95F DB / 75F WB outside, 80F DB / 67F WB inside.

2. Cooling full load amp includes compressor, indoor air fan, and outdoor air fan.

3. Indoor and Vent SCFM are at high fan speed with dry coil.

