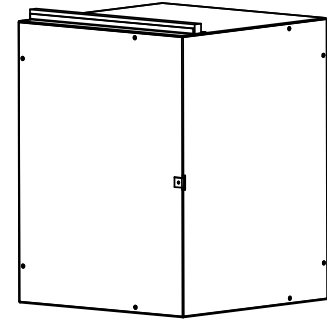


# FOR THIS INSTALLATION ALL UNITS MUST BE CONTROLLED BY REMOTE WALL THERMOSTAT

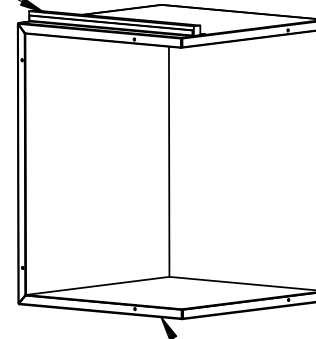
## INSTRUCTIONS:

NOTE: BEFORE INSTALLATION ENSURE ALL SLEEVE SEALS ARE PROPERLY ATTACHED

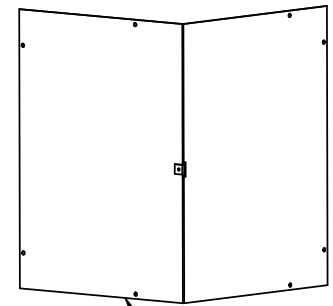
- 1- REMOVE FRONT COVER FROM INSULATED FILLER BOX
- 2- APPLY LIBERAL AMOUNT OF CALKING TO THE BOTTOM PAN OF SLEEVE UNDER WHERE THE FRONT OF THE FILLER BOX WILL SIT
- 3- ENSURE FILLER BOX IS FIRMLY ENGAGED TO BACK AND LEFT SIDE OF SLEEVE SECURE FILLER BOX TO SIDE OF SLEEVE USING SELF TAPPING SCREWS PROVIDED
- 4- REPLACE FRONT COVER OF FILLER BOX



ANGLE IS AT TOP



FILLER BOX



FRONT COVER

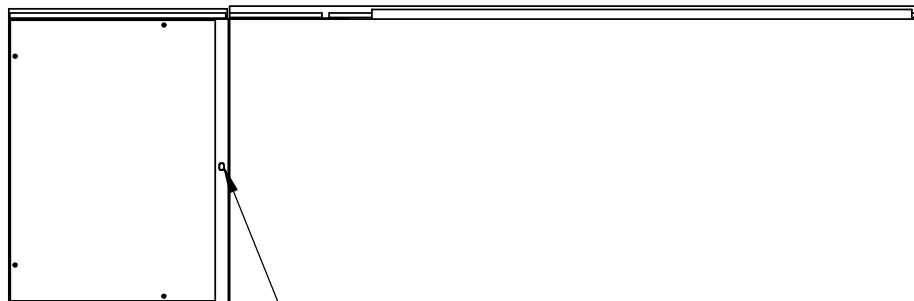
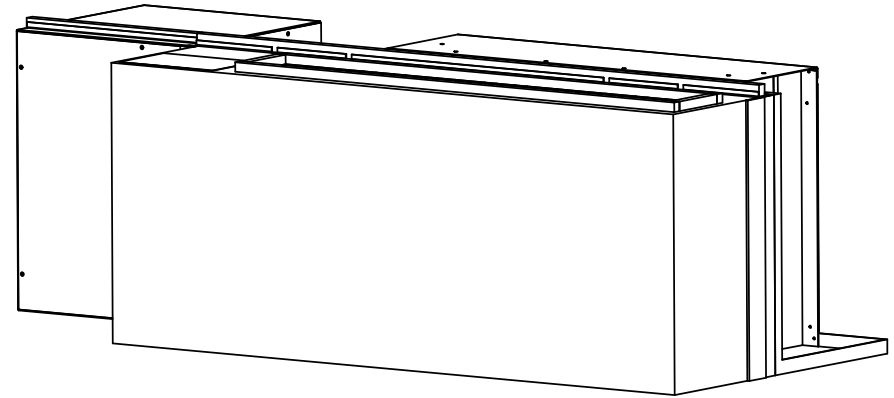
				NAME		DATE		<b>Applied</b> <small>COMFORT</small>		
				DRAWN WWebber		12 Jan 2015		<b>TITLE:</b> <b>CLIMATROL INSTALLATION</b>		
				CHECKED						
				ENG APPR						
				MFG APPR						
				Q.A.						
				MATERIAL		COMMENTS:				
				FINISH						
REV		DATE		NOTES		BY				
APPLICATION				DC		NOT SCALE DRAWING				
SIZE <b>G</b>		DWG. NO. <b>803874</b>			REV <b>00</b>		SCALE: 1:10		WEIGHT:	
								SHEET 1 OF 2		

**PROPRIETARY AND CONFIDENTIAL**  
THE INFORMATION CONTAINED IN THIS DRAWING IS THE SOLE PROPERTY OF <INSERT COMPANY NAME HERE>. ANY REPRODUCTION IN PART OR AS A WHOLE WITHOUT THE WRITTEN PERMISSION OF <INSERT COMPANY NAME HERE> IS PROHIBITED.

# FOR THIS INSTALLATION ALL UNITS MUST BE CONTROLLED BY REMOTE WALL THERMOSTAT

## INSTRUCTIONS:

ALL SEAL ANGLES WILL BE INSTALLED ON THE UNIT AT THE FACTORY  
 AFTER THE FILLER BOX IS PROPERLY INSTALLED THE UNIT WILL SLIDE INTO THE SLEEVE  
 ENSURE IT SLIDES BACK FULLY AND THE DEFLECTOR ANGLES ENGAGE THE EXTERIOR LOUVER.  
 THE LEFT SIDE UNIT ANGLE HAS A HOLE THAT WILL ALIGN WITH THE TINNERMAN CLIP IN THE  
 FILLER BOX, THE FINAL INSTALLATION STEP IS TO SECURE THE UNIT TO THE FILLER BOX  
 USING THE SCREW PROVIDED.



— SECURE UNIT TO FILLER BOX USING EXISTING HOLE AND TINNERMAN CLIP.

**PROPRIETARY AND CONFIDENTIAL**  
 THE INFORMATION CONTAINED IN THIS DRAWING IS THE SOLE PROPERTY OF <INSERT COMPANY NAME HERE>. ANY REPRODUCTION IN PART OR AS A WHOLE WITHOUT THE WRITTEN PERMISSION OF <INSERT COMPANY NAME HERE> IS PROHIBITED.

				NAME		DATE		Applied COMFORT	
				DRAWN WWebber		12 Jan 2015			
				CHECKED				TITLE: <b>CLIMATROL INSTALATION</b>	
				ENG APPR					
				MFG APPR					
				Q.A.					
				MATERIAL		COMMENTS:			
				FINISH					
REV	DATE	NOTES	BY						
APPLICATION			DO NOT SCALE DRAWING						
SIZE <b>G</b>		DWG. NO. 803874			REV 00				
SCALE: 1:10		WEIGHT:			SHEET 2 OF 2				