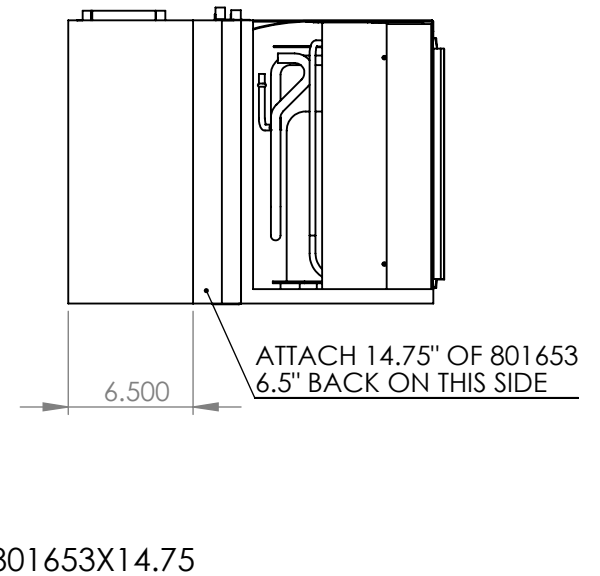


ATTACH 802391 ALL AROUND OUTER EDGE OF OPENING



**INSULATED  
EXTENSION BOX**

**SC CHASSIS**

**Applied**  
COMFORT

TITLE:  
**ACC36\_CLIMATROL  
KIT**

SIZE DWG. NO. REV  
**G S Series unit 00**

SCALE: 1:10 WEIGHT: SHEET 1 OF 3

REV	DATE	NOTES	BY	NAME	DATE
				DRAWN WWebber	05 Nov 2014
				CHECKED	
				ENG APPR.	
				MFG APPR.	
				Q.A.	
				MATERIAL	COMMENTS:
				FINISH	
		APPLICATION		DO NOT SCALE DRAWING	

PROPRIETARY AND CONFIDENTIAL  
THE INFORMATION CONTAINED IN THIS DRAWING IS THE SOLE PROPERTY OF <INSERT COMPANY NAME HERE>. ANY REPRODUCTION IN PART OR AS A WHOLE WITHOUT THE WRITTEN PERMISSION OF <INSERT COMPANY NAME HERE> IS PROHIBITED.