

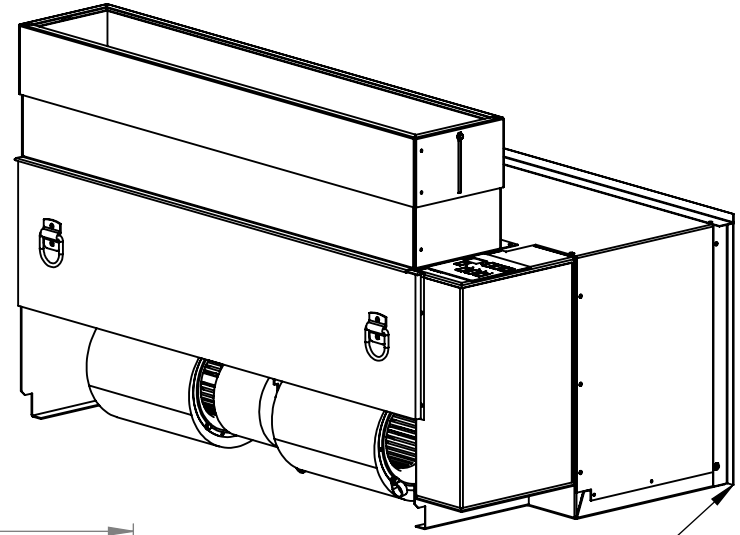
# CAM UNIT INSTALLATION REQUIRES:

**ACC16\_CAM\_KIT** --- this kit includes a collar and a set of 3 flanges to mount to a 16 Series Chassis

**+ 16 Series Chassis**

**+ Wall Thermostat, Wired or Wireless (Sold Separately)**

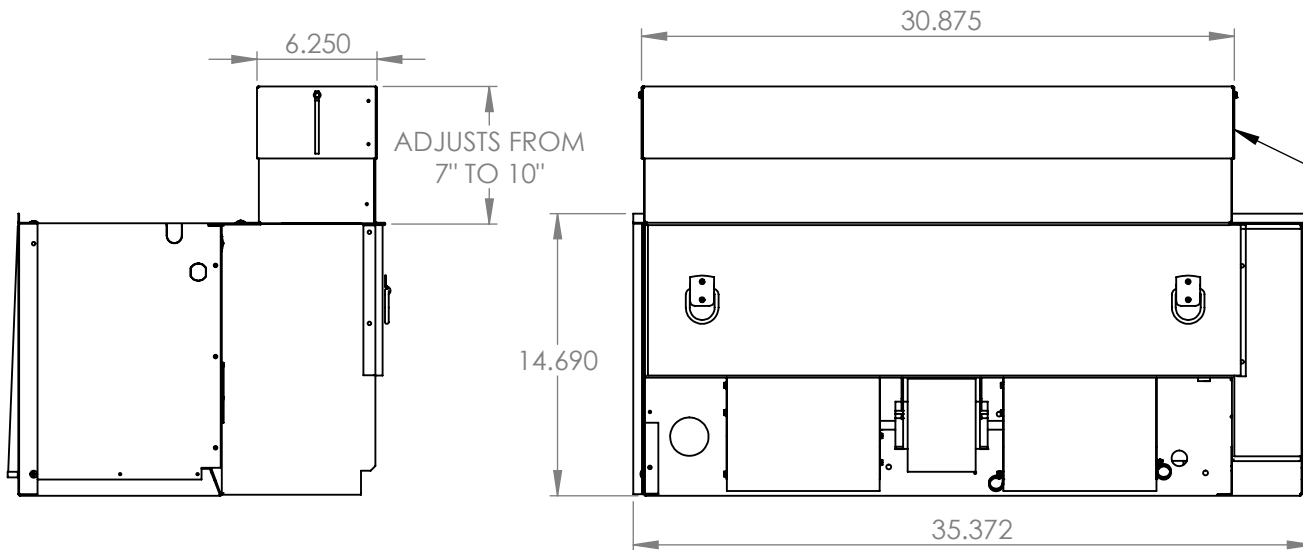
CAM KIT INCLUDES:  
 1 ADJUSTABLE COLLAR  
 1 TOP FLANGE  
 2 SIDE FLANGES  
 REQUIRED SCREWS



SIDE AND TOP FLANGES

ADJUSTABLE COLLAR

16 SERIES UNIT



					NAME	DATE
					DRAWN WWebber	15 Apr 2016
					CHECKED	
					ENG APPR.	
					MFG APPR.	
					Q.A.	
					MATERIAL	COMMENTS:
					FINISH	
REV	DATE	NOTES	BY			
APPLICATION			DO NOT SCALE DRAWING			

Applied  
COMFORT

TITLE:

CAM UNIT  
KIT

SIZE	DWG. NO.	REV
<b>G</b>	CAM MODIFICATION	<b>00</b>
SCALE: 1:10	WEIGHT:	SHEET 1 OF 1

PROPRIETARY AND CONFIDENTIAL  
 THE INFORMATION CONTAINED IN THIS DRAWING IS THE SOLE PROPERTY OF <INSERT COMPANY NAME HERE>. ANY REPRODUCTION IN PART OR AS A WHOLE WITHOUT THE WRITTEN PERMISSION OF <INSERT COMPANY NAME HERE> IS PROHIBITED.