

Job Name: _____
 Purchaser: _____
 Engineer: _____
 Submitted To: _____
 Submitted By: _____
 Unit Designation: Schedule No.: _____

Location: _____
 P.O. No.: _____
 Architect: _____
 Date: _____
 For: Reference Approval Construction
 Model No.: _____

Submittal Data: PTAC & PTHP - 230/208V (R-410A) U42 Series -- Universal Heater with SEPARATED Cord & Chassis



Standard Features:

Universal Heater Design:

- Plug and Chassis are purchased separately.
- Chassis can produce different heating BTUH depending on the amperage of cord plugged into chassis via molex connection.

Standard Warranty:

- One Year Full System Comprehensive Parts and Labor.
- 2nd to 6th Year Sealed Refrigerant System Parts Including Compressor.
- Shipping of Parts is covered to any location in North America during warranty period.

Optional Extended Six Year Warranty (Includes Standard Warranty Plus):

- 2nd to 6th Year Sealed Refrigerant System Labor.
- 2nd to 6th Year Parts Only on all other mechanical parts.

R-410A Refrigerant

Ultra Quiet Operation

High Energy Efficiency

Digital Control Display

Blue Fin Anti-corrosion Treatment for Condenser

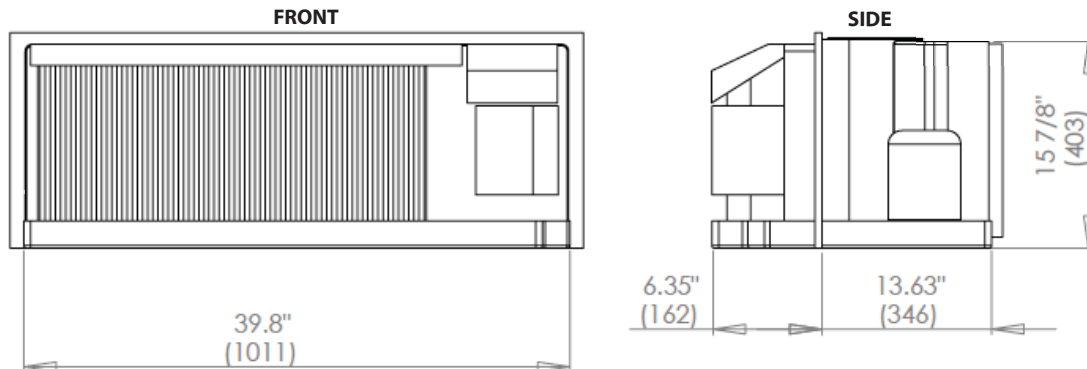
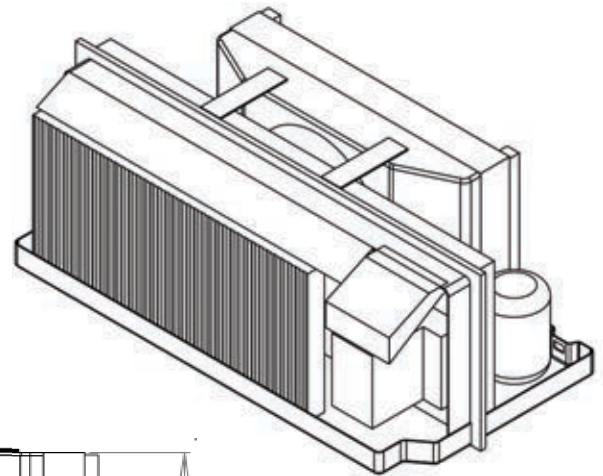
Auto Restart

Room Freeze Protection

Dip Switch setting for temperature limiting

Temperature Display on unit

Fresh Air Ventilation, 70 CFM @ 0.3 ESP with Open Damper Door



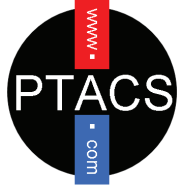
Accessories:

Wall Sleeve -- Folded For Shipping -- 42"W x 16"H x 13 3/4"D	ACC42SLEEVEFOLDED
Wall Sleeve -- Not Folded -- 42"W x 16"H x 13 3/4"D	ACC42SLEEVE_FULL
Architectural Grille -- Silver Anodized	ACC42AAGRILLE_ANODIZED
Architectural Grille -- Beige Powdercoat	ACC42AAGRILLE_BEIGE
Architectural Grille -- Custom Color Powdercoat	ACC42AAGRILLE_CUSTOM
Stamped Aluminum Grille	ACC42SAGRILLE
Stamped Aluminum Grille -- Beige Powdercoat	ACC42SAGRILLE_BEIGE
Stamped Aluminum Grille -- Custom Color Powdercoat	ACC42SAGRILLE_CUSTOM
Sub Base (230/208V 15A or 20A)	ACC42SUBBASE1520
Sub Base (230/208V 30A)	ACC42SUBBASE30
Lateral Duct Kit	ACC42DUCTKIT
Sleeve Extension	ACC42SLEEVE_EXT
Replacement Air Filter	ACC42FILTER
Condensate Drain Kit	ACC42DRAINKIT

Thermostats:

Wired Wall Thermostat - Non-programmable	ACCWIREDT601-2
Wired Wall Thermostat - Programmable	ACCWIREDT605-2
Wireless Wall Thermostat - Non-programmable	ACCWIRELESST631W-2
Wireless Wall Thermostat - Programmable	ACCWIRELESST955W-1

Note:



U42EC Air Conditioner with Electric Resistance Heat

Voltage	Hz	Model	Cooling					Reverse-Cycle Heat		Electric Heat kW OPTIONS			Indoor dB(A) H/L	Indoor CFM H/L°	Vent CFM	Wt.lbs. Nt/Grss
			BTU/Hr.	EER	Amps	Watts	Pts/hr.	BTU/Hr.	COP	2.0	3.0	5.0				
230-208	60	U42EC07KxxE	7200/7000	12	2.6/2.8	600/585	1.0	NA	NA	YES	YES	NO	43/35	352/323	50	112/132
"	"	U42EC09KxxE	9200/9000	12	3.3/3.7	765/750	1.3	"	"	YES	YES	NO	"	"	"	"
"	"	U42EC12KxxE	12200/12000	11.1	4.8/5.2	1100/1080	2.5	"	"	YES	YES	YES	44/36	405/333	75	116/137
"	"	U42EC15KxxE	14900/14700	10.5	6.0/6.8	1420/1400	3.4	"	"	YES	YES	YES	"	"	"	118/139
277	"	U42EC07RxxE	7000	12.1	2.3	580	1.0	"	"	YES	YES	NO	43/35	352/323	50	112/132
"	"	U42EC09RxxE	9000	11.3	3.1	795	1.5	"	"	YES	YES	NO	"	"	"	112/132
"	"	U42EC12RxxE	12000	10.4	4.5	1154	2.8	"	"	YES	YES	YES	44/36	405/333	75	116/137
"	"	U42EC15RxxE	15000	9.6	5.8	1560	4.2	"	"	YES	YES	YES	"	"	"	118/139

*Time Delay Fuse or HCAR Circuit Breaker ---- *Dry Coil

U42HC Heat Pump with Electric Resistance Backup Heat

Voltage	Hz	Model	Cooling					Reverse-Cycle Heat		Electric Heat kW OPTIONS			Indoor dB(A) H/L	Indoor CFM H/L°	Vent CFM	Wt.lbs. Nt/Grss
			BTU/Hr.	EER	Amps	Watts	Pts/hr.	BTU/Hr.	COP	2.0	3.0	5.0				
230-208	60	U42HC07KxxE	7200/7000	12	2.6/2.8	600/585	1.0	6200/6000	3.4	YES	YES	NO	43/35	352/323	50	113/133
"	"	U42HC09KxxE	9200/9000	12	3.3/3.7	765/750	1.3	8700/8500	3.5	YES	YES	NO	"	"	"	"
"	"	U42HC12KxxE	12200/12000	11.1	4.8/5.2	1100/1080	2.5	11200/11000	3.4	YES	YES	YES	44/36	405/333	75	117/138
"	"	U42HC15KxxE	14900/14700	10.5	6.0/6.8	1420/1400	3.4	14200/14000	3.4	YES	YES	YES	"	"	"	119/140
277	"	U42HC07RxxE	7000	12.1	2.3	580	1.0	6000	3.4	YES	YES	NO	43/35	352/323	50	113/133
"	"	U42HC09RxxE	9000	11.3	3.1	795	1.5	8000	3.3	YES	YES	NO	"	"	"	"
"	"	U42HC12RxxE	12000	10.4	4.5	1154	2.8	11000	3.1	YES	YES	YES	44/36	405/333	75	117/138
"	"	U42HC15RxxE	15000	9.6	5.8	1560	4.2	14000	3	YES	YES	YES	"	"	"	119/140

*Time Delay Fuse or HCAR Circuit Breaker ---- *Dry Coil

U42EC/U42HC Electric Heat Output -- Power Cord Selection Chart

Power Cord Selection: CALM U42 PTACs and PTHP's are not equipped with a power cord. A power cord MUST be purchased separately based on the voltage and amperage of the electrical circuit. Electric heating capacity of the chassis will be determined by the power cord which is selected separately. 30 Amp cords must not be used with 7000 or 9000 BTU/Hr. units.

Voltage	Hz	Part Number of Power Cord	Electric Heat kW	*MOP Amps	Heating BTU/Hr.	Total Watts	Total Amps
			OPTIONS				
230-208	60	ACC42POWER15A	2.0	15	6824/5581	2047/1643	7.9/8.9
"	"	ACC42POWER20A	3.0	20	10236/8372	3036/2496	12.2/13.2
"	"	ACC42POWER30A	5.0	30	17060/13953	5037/4118	20.5/21.5
277	"	ACC42POWER15A-277V	2.0	15	6800	2000	8.9
"	"	ACC42POWER20A-277V	3.0	20	10200	3000	13.2
"	"	ACC42POWER30A-277V	5.0	30	17000	5000	21.5

*Maximum Overcurrent Protection // Branch Circuit Fuse Amps