

Job Name: \_\_\_\_\_  
 Purchaser: \_\_\_\_\_  
 Engineer: \_\_\_\_\_  
 Submitted To: \_\_\_\_\_  
 Submitted By: \_\_\_\_\_  
 Unit Designation: Schedule No.: \_\_\_\_\_

Location: \_\_\_\_\_  
 P.O. No.: \_\_\_\_\_  
 Architect: \_\_\_\_\_  
 Date: \_\_\_\_\_  
 For:  Reference  Approval  Construction  
 Model No.: \_\_\_\_\_

# Submittal Data: PTAC & PTHP - 230/208V (R-410A) c42 Series -- Corded Chassis



## Standard Features:

### Standard Warranty:

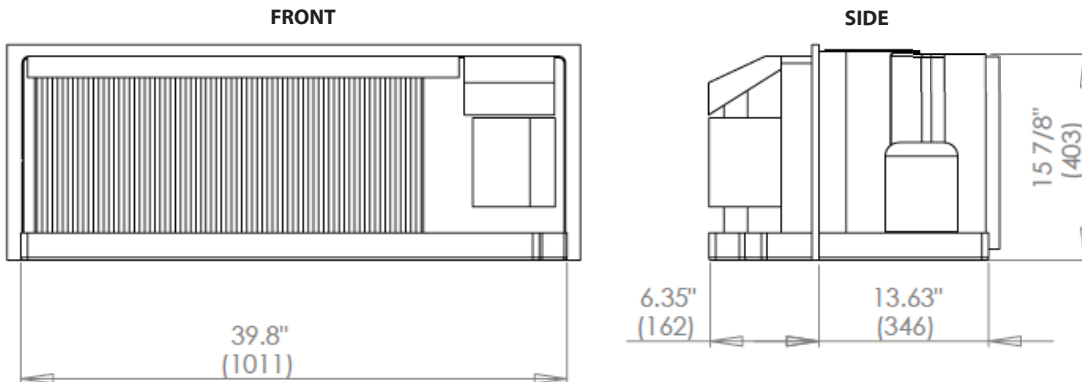
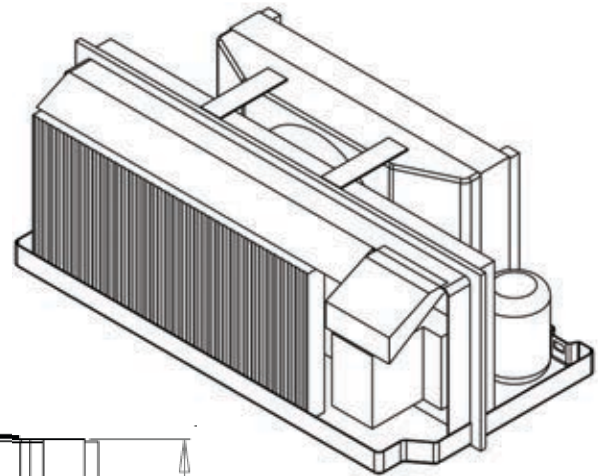
- One Year Full System Comprehensive Parts and Labor.
- 2nd to 6th Year Sealed Refrigerant System Parts Including Compressor.
- Shipping of Parts is covered to any location in North America during warranty period.

### Optional Extended Six Year Warranty (Includes Standard Warranty Plus):

- 2nd to 6th Year Sealed Refrigerant System Labor.
- 2nd to 6th Year Parts Only on all other mechanical parts.

### R-410A Refrigerant

- Ultra Quiet Operation
- High Energy Efficiency
- Digital Control Display
- Blue Fin Anti-corrosion Treatment for Condenser
- Auto Restart
- Room Freeze Protection
- Dip Switch setting for temperature limiting
- Temperature Display on unit
- Fresh Air Ventilation, 70 CFM @ 0.3 ESP with Open Damper Door



## Accessories:

Wall Sleeve -- Folded For Shipping -- 42"W x 16"H x 13 3/4"D	ACC42SLEEVEFOLDED
Wall Sleeve -- Not Folded -- 42"W x 16"H x 13 3/4"D	ACC42SLEEVE_FULL
Architectural Grille -- Silver Anodized	ACC42AAGRILLE_ANODIZED
Architectural Grille -- Beige Powdercoat	ACC42AAGRILLE_BEIGE
Architectural Grille -- Custom Color Powdercoat	ACC42AAGRILLE_CUSTOM
Stamped Aluminum Grille	ACC42SAGRILLE
Stamped Aluminum Grille -- Beige Powdercoat	ACC42SAGRILLE_BEIGE
Stamped Aluminum Grille -- Custom Color Powdercoat	ACC42SAGRILLE_CUSTOM
Sub Base (230/208V 15A or 20A)	ACC42SUBBASE1520
Sub Base (230/208V 30A)	ACC42SUBBASE30
Lateral Duct Kit	ACC42DUCTKIT
Sleeve Extension	ACC42SLEEVE_EXT
Replacement Air Filter	ACC42FILTER
Condensate Drain Kit	ACC42DRAINKIT

## Thermostats:

Wired Wall Thermostat - Non-programmable	ACCWIREDT601-2
Wired Wall Thermostat - Programmable	ACCWIREDT605-2
Wireless Wall Thermostat - Non-programmable	ACCWIRELESST631W-2
Wireless Wall Thermostat - Programmable	ACCWIRELESST955W-1

## Note:



Applied  
COMFORT

### C42EC Air Conditioner with Electric Resistance Heat

Model	Voltage	Hz	Cooling					Reverse-Cycle Heat		Resistance Heat			Min. Circuit Amps	MOP* Fuse Amps	Electrical Plug (NEMA)	Indoor dB(A) H/L	Indoor CFM H/L°	Vent CFM	Wt.lbs. Nt/Grss
			BTU/Hr.	EER	Amps	Watts	Pts/hr.	BTU/Hr.	COP	BTU/Hr.	kW	Amps							
C42EC07K00E6	230-208	60	7200/7000	12	2.8/2.6	600/585	1.0	NA	NA	N/A	N/A	N/A	3.5	15	#6-15P	43/35	352/323	50	97/113
C42EC07K25E6	"	"	"	"	"	"	"	"	"	8600/7100	2.5/2.1	11.6/10.5	14.4	"	"	"	"	"	"
C42EC07K30E7	"	"	"	"	"	"	"	"	"	10236/8372	3.0/2.8	13.2/12.2	16.5	20	#6-20P	"	"	"	"
C42EC09K00E6	"	"	9200/9000	12	3.7/3.3	765/750	1.3	"	"	N/A	N/A	N/A	3.7	15	#6-15P	43/35	352/323	50	106/119
C42EC09K25E6	"	"	"	"	"	"	"	"	"	8600/7100	2.5/2.1	11.6/10.5	14.4	"	"	"	"	"	"
C42EC09K36E7	"	"	"	"	"	"	"	"	"	12280/10130	3.6/3.3	17.5/15.8	19.1	20	#6-20P	"	"	"	"
C42EC12K00E6	"	"	12200/12000	11.1	5.2/4.8	1100/1080	2.5	"	"	N/A	N/A	N/A	5.2	15	#6-15P	44/36	405/333	75	108/121
C42EC12K25E6	"	"	"	"	"	"	"	"	"	8600/7100	2.5/2.1	11.6/10.5	14.4	"	"	"	"	"	"
C42EC12K36E7	"	"	"	"	"	"	"	"	"	12280/10130	3.6/3.3	17.5/15.8	19.1	20	#6-20P	"	"	"	"
C42EC12K50E8	"	"	"	"	"	"	"	"	"	17000/13900	5.0/4.1	22.4/20.4	28	30	#6-30P	"	"	"	"
C42EC15K00E6	"	"	14900/14700	10.5	6.8/6.0	1420/1400	3.4	"	"	N/A	N/A	N/A	6.8	15	#6-15P	44/36	405/333	75	110/123
C42EC15K25E6	"	"	"	"	"	"	"	"	"	8600/7100	2.5/2.1	11.6/10.5	14.4	"	"	"	"	"	"
C42EC15K36E7	"	"	"	"	"	"	"	"	"	12280/10130	3.6/3.3	17.5/15.8	19.1	20	#6-20P	"	"	"	"
C42EC15K50E8	"	"	"	"	"	"	"	"	"	17000/13900	5.0/4.1	22.4/20.4	28	30	#6-30P	"	"	"	"
C42EC07R00E2	277	"	7000	12.1	2.3	580	1.0	"	"	N/A	N/A	N/A	2.3	15	#7-20P	43/35	352/323	50	97/113
C42EC07R20E2	"	"	"	"	"	"	"	"	"	7200	2.0	8.0	9.9	"	"	"	"	"	"
C42EC07R30E2	"	"	"	"	"	"	"	"	"	10600	3.0	11.6	14.7	"	"	"	"	"	"
C42EC09R00E2	"	"	9000	11.3	3.1	795	1.5	"	"	N/A	N/A	N/A	3.1	"	"	"	"	"	106/119
C42EC09R20E2	"	"	"	"	"	"	"	"	"	7200	2.0	8.0	9.9	"	"	"	"	"	"
C42EC09R30E2	"	"	"	"	"	"	"	"	"	10600	3.0	11.6	14.7	"	"	"	"	"	"
C42EC12R00E2	"	"	12000	10.3	4.5	1154	2.8	"	"	N/A	N/A	N/A	4.5	"	"	44/36	405/333	75	108/121
C42EC12R20E2	"	"	"	"	"	"	"	"	"	7200	2.0	8.0	9.9	"	"	"	"	"	"
C42EC12R30E2	"	"	"	"	"	"	"	"	"	10600	3.0	11.6	14.7	"	"	"	"	"	"
C42EC15R00E2	"	"	15000	9.6	5.8	1560	4.2	"	"	N/A	N/A	N/A	5.8	"	"	"	"	"	110/123
C42EC15R20E2	"	"	"	"	"	"	"	"	"	7200	2.0	8.0	9.9	"	"	"	"	"	"
C42EC15R30E2	"	"	"	"	"	"	"	"	"	10600	3.0	11.6	14.7	"	"	"	"	"	"
C42EC15R50EN	"	"	"	"	"	"	"	"	"	17000	5.0	19.6	24.7	30	hard-wire	"	"	"	"

### C42HC Heat Pump with Electric Resistance Backup Heat

Model	Voltage	Hz	Cooling					Reverse-Cycle Heat		Resistance Heat			Min. Circuit Amps	MOP* Fuse Amps	Electrical Plug (NEMA)	Indoor dB(A) H/L	Indoor CFM H/L°	Vent CFM	Wt.lbs. Nt/Grss
			BTU/Hr.	EER	Amps	Watts	Pts/hr.	BTU/Hr.	COP	BTU/Hr.	kW	Amps							
C42HC07K25E6	230-208	60	7200/7000	12	2.8/2.6	600/585	1.0	6200/6000	3.4	8600/7100	2.5/2.1	11.6/10.5	14.4	15	#6-15P	43/35	352/323	50	98/114
C42HC07K30E7	"	"	"	"	"	"	"	"	"	10236/8372	3.0/2.8	13.2/12.2	16.5	20	#6-20P	"	"	"	"
C42HC09K25E6	"	"	9200/9000	12	3.7/3.3	765/750	1.3	8700/8500	3.5	8600/7100	2.5/2.1	11.6/10.5	14.4	"	#6-15P	43/35	352/323	50	107/120
C42HC09K36E7	"	"	"	"	"	"	"	"	"	12280/10130	3.6/3.3	17.5/15.8	19.1	20	#6-20P	"	"	"	"
C42HC12K25E6	"	"	12200/12000	11.1	5.2/4.8	1100/1080	2.5	11200/11000	3.4	8600/7100	2.5/2.1	11.6/10.5	14.4	15	#6-15P	44/36	405/333	75	109/122
C42HC12K36E7	"	"	"	"	"	"	"	"	"	12280/10130	3.6/3.3	17.5/15.8	19.1	20	#6-20P	"	"	"	"
C42HC12K50E8	"	"	"	"	"	"	"	"	"	17000/13900	5.0/4.1	22.4/20.4	28	30	#6-30P	"	"	"	"
C42HC15K25E6	"	"	14900/14700	10.5	6.8/6.0	1420/1400	3.4	14200/14000	3.4	8600/7100	2.5/2.1	11.6/10.5	14.4	15	#6-15P	44/36	405/333	75	111/124
C42HC15K36E7	"	"	"	"	"	"	"	"	"	12280/10130	3.6/3.3	17.5/15.8	19.1	20	#6-20P	"	"	"	"
C42HC15K50E8	"	"	"	"	"	"	"	"	"	17000/13900	5.0/4.1	22.4/20.4	28	30	#6-30P	"	"	"	"
C42HC07R30E2	277	"	7000	12.1	2.3	580	1.0	6000	3.4	10600	3.0	11.6	14.7	15	#7-20P	43/35	352/323	50	98/114
C42HC09R30E2	"	"	9000	11.3	3.1	795	1.5	8000	3.3	"	"	"	"	"	"	"	"	"	107/120
C42HC12R30E2	"	"	12000	10.3	4.5	1154	2.8	11000	3.1	"	"	"	"	"	"	44/36	405/333	75	109/122
C42HC15R30E2	"	"	15000	9.6	5.8	1560	4.2	14000	3	"	"	"	"	"	"	"	"	"	111/124
C42HC15R50EN	"	"	"	"	"	"	"	"	"	17000	5.0	19.6	24.7	30	hard-wire	"	"	"	"

\*Time Delay Fuse or HCAR Circuit Breaker ---- °Dry Coil