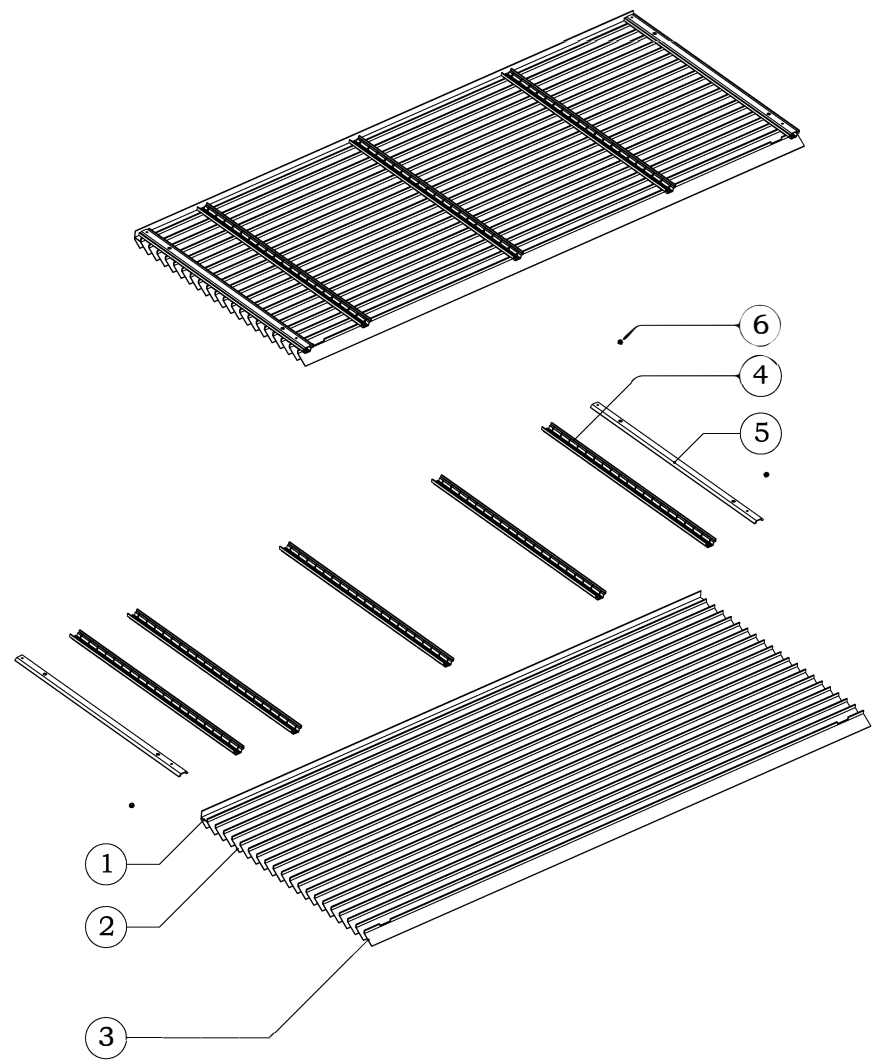
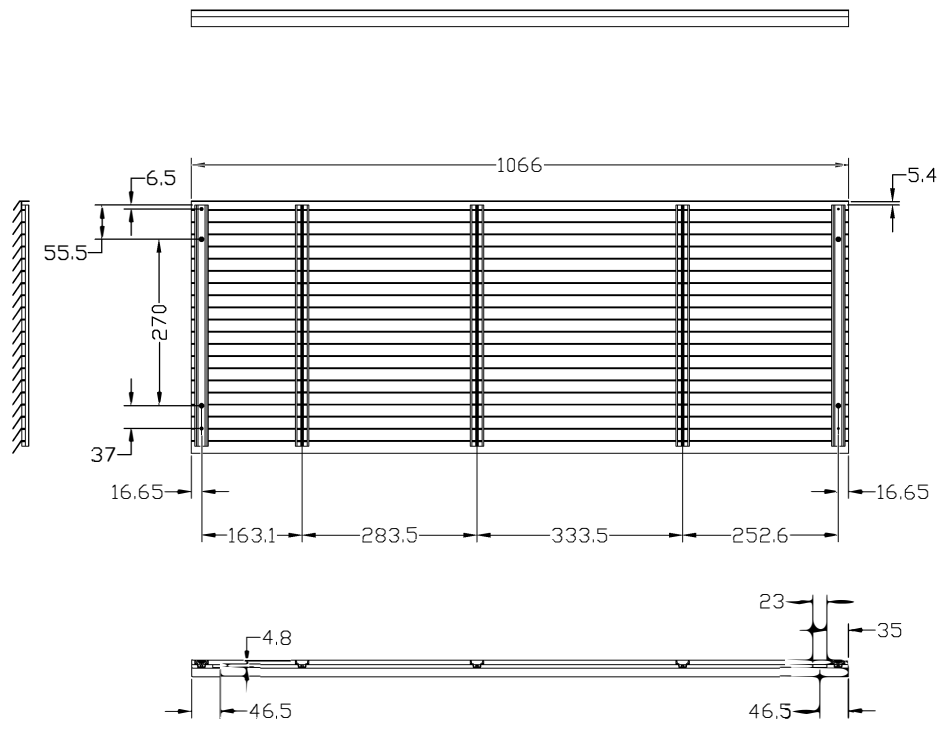


A
B
C
D
E
F

A
B
C
D
E
F



6								
5								
4								
3								
2								
1				AL6063-T5	1			
NO:	DRG NO.	TITEL	STEP	MATERIAL	PCS	FINISH	REV	NOTES

	ACC42AAGRILLE		Applied Comfort Products Carver Inc.
	16" High x 42" Wide Aluminum Grille		
	mm	2013.04.19	
	I		
			DWG NO: BYC-KT