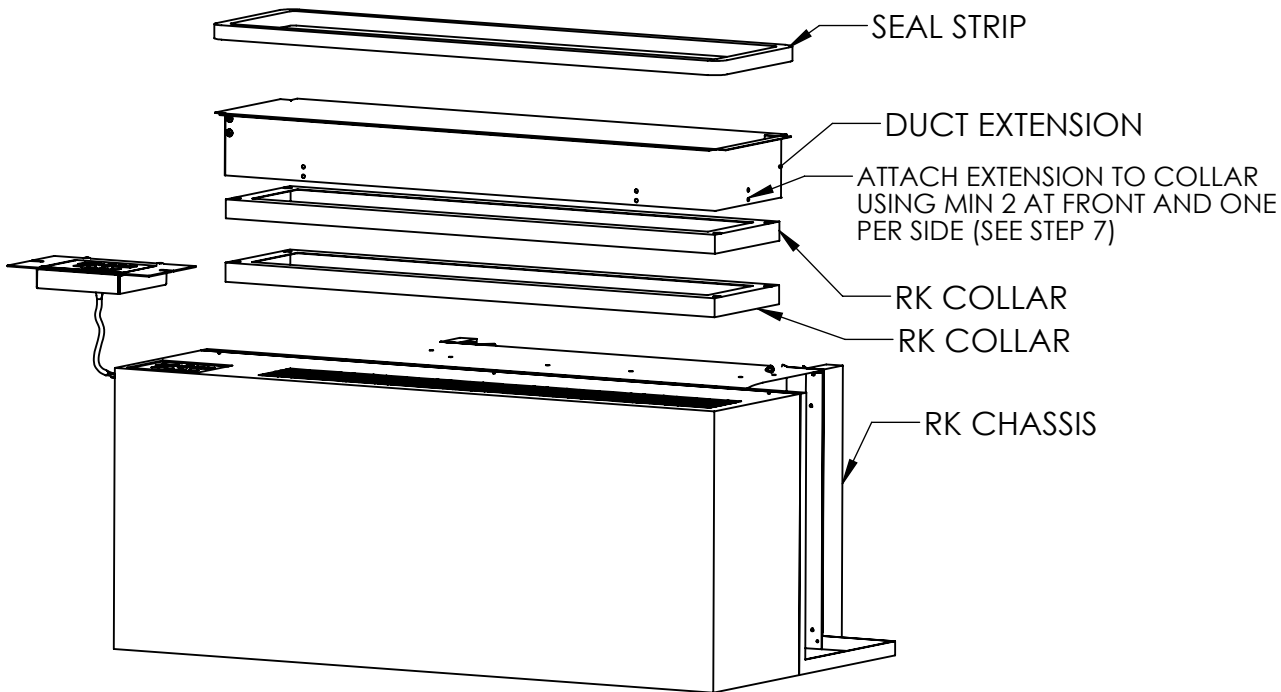


AD UNIT INSTALLATION REQUIRES:

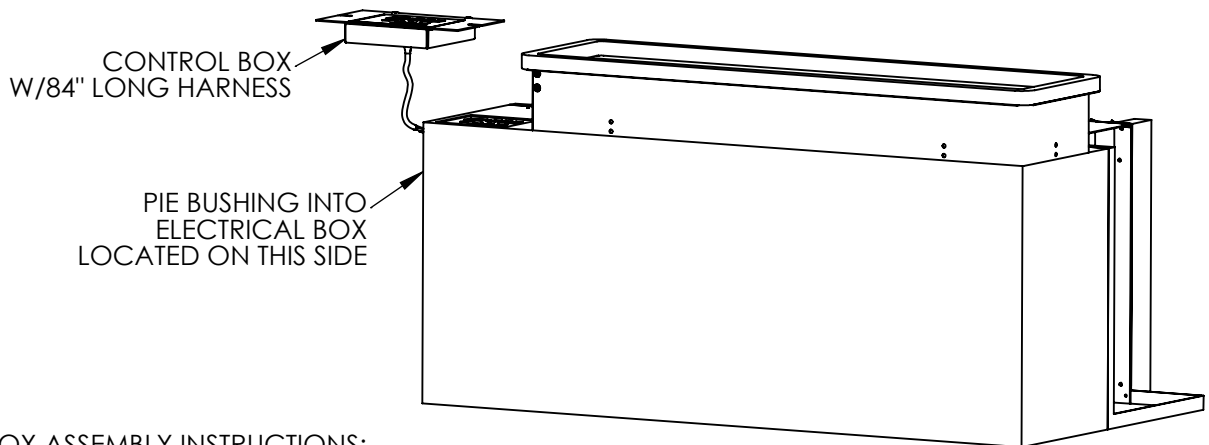
ACC36_AD_CONTROLKIT_BOARD --- this kit includes a collar to mount on top of RK chassis and a movable electronic touchpad control

+ RK Series CHASSIS



DUCT EXTENSION ASSEMBLY INSTRUCTIONS:

- 1- REMOVE HEX HEAD SCREW FROM EXISTING RK COLLAR AND REPLACE WITH TRUSS HEAD SCREW PROVIDED
- 2- ATTACH SECOND RK COLLAR TO THE ORIGINAL RK COLLAR USING 4 U CLIPS PROVIDED MAKING SURE THE 2 COLLARS ARE FLUSH FRONT AND SIDES
- 3- ATTACH 75" OF SEAL STRIP ONTO TOP FLANGE OF DUCT EXTENSION
- 4- SLIDE DUCT EXTENSION DOWN OVER THE RK COLLARS UNTIL IT SITS ONTO THE UNIT
- 5- INSERT UNIT INTO WALL SLEEVE
- 6- SLIDE DUCT EXTENSION UP UNTIL THE SEAL STRIP ENGAGES WITH THE ROOM ENCLOSURE GRILLE
- 7- SECURE DUCT EXTENSION TO RK COLLAR USING SELF TAPPING SCREWS THREW THE HOLES PROVIDED



CONTROL BOX ASSEMBLY INSTRUCTIONS:

1. DISCONNECT POWER TO UNIT
2. REMOVE ELECTRICAL BOX COVER AND REMOVE GREY DISPLAY BOARD HARNESS FROM CONTROL BOARD
3. FEED 84" CABLE EXTENSION HARNESS THROUGH PIE BUSHING IN THE SIDE OF THE UNIT INTO THE ELECTRICAL BOX AND ATTACH TO CONTROL BOARD
4. INSTALL ELECTRICAL BOX COVER
5. <PARA >ATTACH SPACER BOX TO UNIT ENCLOSURE ENSURING IT IS SECURE
6. <PARA >RECONNECT POWER TO UNIT AND TEST OPERATION