

# 16

16W (hydronic)

16E (electric)

# Applied

COMFORT



16E FITS 37 1/2" WIDE X 16" SLEEVE

16W FITS 41 1/2" WIDE X 16" SLEEVE

SLIDE IN REPLACEMENT FOR:

16, AAF16, Enersaver, PNES, ENR, WY, R10 - McQuay®, American Air Filter®,

Nelson Air®, Singer®, Remington®, Islandaire®, RetroAire®

Premium, . . . meet Affordable!

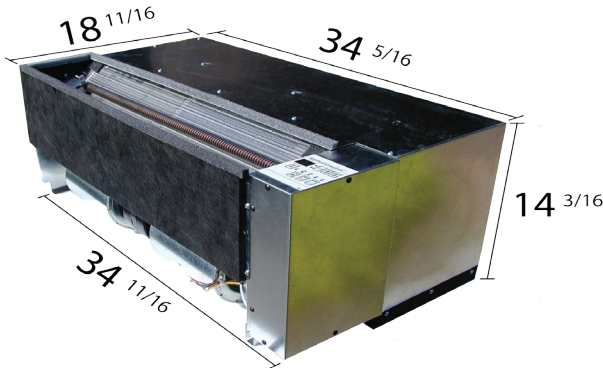
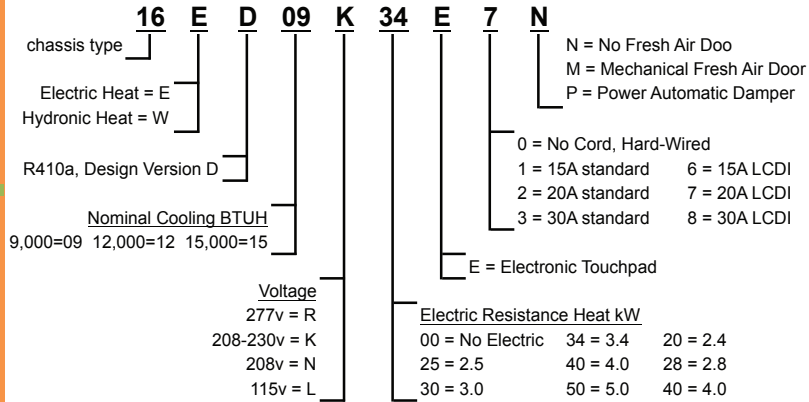
# 45

16 replaces Type 45

when

ACCT45SLEEVEKIT

is installed into original Type 45 Sleeves.



Re-engineered in 2014 -- quieter! more efficient!

Uncompromising design, premium UL components, and rigorous QA testing ensure class-leading performance, lowest operating costs, & long service life.

Electronic Touchpad Controls switchable to wall thermostat & EMS.

Fresh Air Door Options include automatic power damper, mechanical, or no door.

Manufacturing premium quality PTAC/PTHPs in North America since 1994!

## 16ED Air Conditioner with Electric Resistance Heat

PERMANENTLY CONNECTED. SUB-BASE Connected. Non-LCDI short cord plugs into hard-wired protected receptacle in Sub-base.



Model	Voltage	Hz	Min. Circuit Amps	MOP* Fuse Amps	Electrical Plug (NEMA)	Cooling					Resistance Heat			Indoor CFM HIGH <sup>o</sup>	Indoor CFM LOW <sup>o</sup>	Vent** CFM	Net Wt. lbs.	Ship Wt. lbs.
						BTU/Hr.	EER	Amps	S/T	Pts./hr.	BTU/Hr.	kW	Amps					
16ED09L00E2	115	60	12.4	15	#5-15P	9500	10.3	10	0.78	2.0	N/A	N/A	N/A	325	275	90	118	126
16ED12L00E2	"	"	15.4	20	#5-20P	11900	9.5	12.6	0.7	3.3	N/A	N/A	N/A	"	"	"	"	"
16ED09N00E2	208	"	5.8	15	#6-20P	9500	10.3	5.1	0.78	2.0	N/A	N/A	N/A	315	260	"	"	"
16ED09N20E2	"	"	13	"	"	"	"	"	"	"	7300	2.0	10.4	"	"	"	"	"
16ED09N28E2	"	"	17.4	20	"	"	"	"	"	"	9900	2.8	13.9	"	"	"	"	"
16ED09N41E2	"	"	25.3	30	"	"	"	"	"	"	14300	4.1	20.2	"	"	"	"	"
16ED12N00E2	"	"	7.7	20	"	11900	9.5	6.6	0.7	3.3	N/A	N/A	N/A	"	"	"	"	"
16ED12N20E2	"	"	13	"	"	"	"	"	"	"	7300	2.0	10.4	"	"	"	"	"
16ED12N28E2	"	"	17.4	"	"	"	"	"	"	"	9900	2.8	13.9	"	"	"	"	"
16ED12N41E2	"	"	25.3	30	"	"	"	"	"	"	14300	4.1	20.2	"	"	"	"	"
16ED15N00E2	"	"	9.4	20	"	13500	8.8	8.3	0.68	4.3	N/A	N/A	N/A	375	315	"	"	"
16ED15N20E2	"	"	13	"	"	"	"	"	"	"	7300	2.0	10.4	"	"	"	"	"
16ED15N28E2	"	"	17.4	"	"	"	"	"	"	"	9900	2.8	13.9	"	"	"	"	"
16ED15N41E2	"	"	25.3	30	"	"	"	"	"	"	14300	4.1	20.2	"	"	"	"	"
16ED09R00E2	277	"	5.5	15	#7-20P	9500	10.3	4.2	0.8	1.8	N/A	N/A	N/A	380	335	"	"	"
16ED09R20E2	"	"	9.9	"	"	"	"	"	"	"	7200	2.0	8.0	"	"	"	"	"
16ED09R30E2	"	"	14.4	"	"	"	"	"	"	"	10600	3.0	11.6	"	"	"	"	"
16ED09R40E2	"	"	19	20	"	"	"	"	"	"	14000	4.0	15.2	"	"	"	"	"
16ED12R00E2	"	"	6.5	15	"	11900	9.5	5.6	0.75	2.8	N/A	N/A	N/A	"	"	"	"	"
16ED12R20E2	"	"	9.9	"	"	"	"	"	"	"	7200	2.0	8.0	"	"	"	"	"
16ED12R30E2	"	"	14.4	"	"	"	"	"	"	"	10600	3.0	11.6	"	"	"	"	"
16ED12R40E2	"	"	19	20	"	"	"	"	"	"	14000	4.0	15.2	"	"	"	"	"
16ED15R00E2	"	"	8.1	15	"	13500	8.8	6.8	0.68	4.3	N/A	N/A	N/A	"	"	"	"	"
16ED15R20E2	"	"	9.9	"	"	"	"	"	"	"	7200	2.0	8.0	"	"	"	"	"
16ED15R30E2	"	"	14.4	"	"	"	"	"	"	"	10600	3.0	11.6	"	"	"	"	"
16ED15R40E2	"	"	19	20	"	"	"	"	"	"	14000	4.0	15.2	"	"	"	"	"

\*Time Delay Fuse or HCAR Circuit Breaker ---- \*Dry Coil ---- 277v models are permanently connected using 20amp non-LCDI cords.

Premium

www.ptacs.com

Affordable

Distributed By:

Note: The 16 series chassis also replaces Type 45 series chassis; if a sleeve conversion kit is installed into the original Type 45 sleeve.

**16 + ACCT45SLEEVEKIT = Type 45**

**16ED Air Conditioner with Electric Resistance Heat**

**CORD-CONNECTED. LCDI full-length Cord for connection to remote receptacle.**

Model	Voltage	Hz	Min. Circuit Amps	MOP* Fuse Amps	Electrical Plug (NEMA)	Cooling					Resistance Heat			Indoor CFM HIGH*	Indoor CFM LOW*	Vent** CFM	Net Wt. lbs.	Ship Wt. lbs.
						BTU/Hr.	EER	Amps	S/T	Pts./hr.	BTU/Hr.	kW	Amps					
16ED09L00E6	115	60	12.4	15	#5-15P	9500	10.3	10	0.78	2.0	N/A	N/A	N/A	325	275	90	118	126
16ED09L00E7	"	"	12.4	20	#5-20P	9500	10.3	10	0.78	2.0	N/A	N/A	N/A	"	"	"	"	"
16ED12L00E7	"	"	15.4	20	#5-20P	11900	9.5	12.6	0.7	3.3	N/A	N/A	N/A	"	"	"	"	"
16ED09K00E6	230 - 208	"	5.8	15	#6-15P	9500	10.3	4.9/5.1	0.78	2.0	N/A	N/A	N/A	345/315	300/260	"	"	"
16ED09K00E7	"	"	"	20	#6-20P	"	"	"	"	"	"	"	"	"	"	"	"	"
16ED09K25E6	"	"	14.3	15	#6-15P	"	"	"	"	"	8900/7300	2.5/2.1	11.4/10.4	"	"	"	"	"
16ED09K25E7	"	"	"	20	#6-20P	"	"	"	"	"	8900/7300	2.5/2.1	11.4/10.4	"	"	"	"	"
16ED09K34E7	"	"	19.2	20	#6-20P	"	"	"	"	"	12000/9900	3.4/2.8	15.3/13.9	"	"	"	"	"
16ED09K34E8	"	"	"	30	#6-30P	"	"	"	"	"	12000/9900	3.4/2.8	15.3/13.9	"	"	"	"	"
16ED09K50E8	"	"	27.9	30	#6-30P	"	"	"	"	"	17400/14300	5/4.1	22.3/20.2	"	"	"	"	"
16ED12K00E6	"	"	7.7	15	#6-15P	11900	9.5	6.3/6.6	0.7	2.8	N/A	N/A	N/A	"	"	"	"	"
16ED12K00E7	"	"	"	20	#6-20P	"	"	"	"	"	N/A	N/A	N/A	"	"	"	"	"
16ED12K25E6	"	"	14.3	15	#6-15P	"	"	"	"	"	8900/7300	2.5/2.1	11.4/10.4	"	"	"	"	"
16ED12K25E7	"	"	"	20	#6-20P	"	"	"	"	"	8900/7300	2.5/2.1	11.4/10.4	"	"	"	"	"
16ED12K34E7	"	"	19.2	20	#6-20P	"	"	"	"	"	12000/9900	3.4/2.8	15.3/13.9	"	"	"	"	"
16ED12K34E8	"	"	"	30	#6-30P	"	"	"	"	"	12000/9900	3.4/2.8	15.3/13.9	"	"	"	"	"
16ED12K50E8	"	"	27.9	30	#6-30P	"	"	"	"	"	17400/14300	5/4.1	22.3/20.2	"	"	"	"	"
16ED15K00E6	"	"	9.4	15	#6-15P	13500	8.8	7.9/8.3	0.68	4.3	N/A	N/A	N/A	385/375	350/335	"	"	"
16ED15K00E7	"	"	"	20	#6-20P	"	"	"	"	"	N/A	N/A	N/A	"	"	"	"	"
16ED15K25E6	"	"	14.3	15	#6-15P	"	"	"	"	"	8900/7300	2.5/2.1	11.4/10.4	"	"	"	"	"
16ED15K25E7	"	"	"	20	#6-20P	"	"	"	"	"	8900/7300	2.5/2.1	11.4/10.4	"	"	"	"	"
16ED15K34E7	"	"	19.2	20	#6-20P	"	"	"	"	"	12000/9900	3.4/2.8	15.3/13.9	"	"	"	"	"
16ED15K34E8	"	"	"	30	#6-30P	"	"	"	"	"	12000/9900	3.4/2.8	15.3/13.9	"	"	"	"	"
16ED15K50E8	"	"	27.9	30	#6-30P	"	"	"	"	"	17400/14300	5/4.1	22.3/20.2	"	"	"	"	"

\*Time Delay Fuse or HCAR Circuit Breaker ---- \*Dry Coil

**16WD Air Conditioner with Hydronic Heat**

**PERMANENTLY CONNECTED. SUB-BASE Connected. Non-LCDI cord plugs into hard-wired protected receptacle.**

Model	Voltage	Hz	Min. Circuit Amps	MOP* Fuse Amps	Electrical Plug (NEMA)	Cooling					Resistance Heat			Indoor CFM HIGH*	Indoor CFM LOW*	Vent** CFM	Net Wt. lbs.	Ship Wt. lbs.
						BTU/Hr.	EER	Amps	S/T	Pts./hr.	BTU/Hr.	kW	Amps					
16WD09L00E2	115	60	13	15	#5-20P	9500	10.3	10	0.78	2.0	N/A	N/A	N/A	310	265	90	118	126
16WD12L00E2	"	"	16.2	20	#5-20P	11900	9.5	12.6	0.7	3.3	N/A	N/A	N/A	360	310	"	"	"
16WD09K00E2	230 - 208	"	6.2	15	#6-20P	9500	10.3	4.9/5.1	0.8	1.8	N/A	N/A	N/A	325/300	290/250	"	"	"
16WD12K00E2	"	"	8.1	"	"	11900	9.5	6.3/6.6	0.75	2.8	N/A	N/A	N/A	370/350	325/300	"	"	"
16WD15K00E2	"	"	9.8	"	"	13500	8.8	7.9/8.3	0.68	4.3	N/A	N/A	N/A	370/350	325/300	"	"	"
16WD09R00E2	277	"	5.7	15	#7-20P	9500	10.3	4.2	0.8	1.8	N/A	N/A	N/A	360	310	"	"	"
16WD12R00E2	"	"	6.8	"	"	11900	9.5	5.6	0.75	2.8	N/A	N/A	N/A	"	"	"	"	"
16WD15R00E2	"	"	8.4	"	"	13500	8.8	6.8	0.68	4.3	N/A	N/A	N/A	"	"	"	"	"

\*Time Delay Fuse or HCAR Circuit Breaker ---- \*Dry Coil

Model	Voltage	Hz	Hot Water Heat HIGH SPEED	Hot Water Heat LOW SPEED	Water Flow Rate	Coil Pressure Drop (HIGH SPEED)	Steam Heat HIGH SPEED	Steam Heat LOW SPEED	Heating Current
			BTU/Hr.	BTU/Hr.	USGPM	Ft of Water	BTU/Hr.	BTU/Hr.	Amps
16WD09L00E2	115	60	17200	16100	1.8	1.8	21100	19600	<1
16WD12L00E2	"	"	18500	17400	1.9	1.9	22600	21100	"
16WD09K00E2	230 - 208	"	17600/17000	16800/15600	1.8 - 1.7	1.8 - 1.6	21500/20800	20500/19000	"
16WD12K00E2	"	"	18800/18300	17700/17200	1.9 - 1.9	2.0 - 1.8	22900/22300	21600/20800	"
16WD15K00E2	"	"	18800/18300	17700/17200	1.9 - 1.9	2.0 - 1.8	22900/22300	21600/20800	"
16WD09R00E2	277	"	18500	17400	1.9	1.8	22600	21100	"
16WD12R00E2	"	"	"	"	"	"	"	"	"
16WD15R00E2	"	"	"	"	"	"	"	"	"

Maximum Water Temperature: 210°F ---- HIGH SPEED Water ratings based on ASHRAE/AHRI conditions of 70°F entering air, 200°F entering water and 180°F leaving water temperatures. LOW SPEED Water ratings based on water flow rate set for HIGH SPEED rating condition operating point.

Maximum Steam Pressure: 2 psig ---- Steam ratings based on 70°F entering air, and 2 psig steam pressure with heat output automatically adjusting for blower speed.

**Specifications Subject to Change Without Notice**

All brands and product names are trademarks or registered trademarks of their respective owners.

